



# T&S BRASS AND BRONZE WORKS, INC.

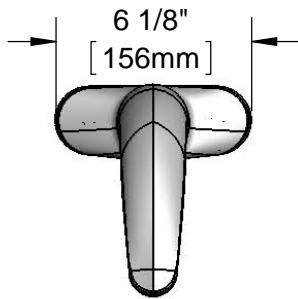
2 Saddleback Cove / P.O. Box 1088  
Travelers Rest, SC 29690

Model No.

**EC-3103-VF05**

Item No.

Travelers Rest, SC: 800-476-4103 • Simi Valley, CA: 800-423-0150 • Fax: 864-834-3518 • www.tsbrass.com



**ADA Compliant**



This Space for Architect/Engineer Approval

Job Name \_\_\_\_\_ Date \_\_\_\_\_

Model Specified \_\_\_\_\_ Quantity \_\_\_\_\_

Customer/Wholesaler \_\_\_\_\_

Contractor \_\_\_\_\_

Architect/Engineer \_\_\_\_\_

Solid Cast Brass Spout  
w/ Polish Chrome Plated  
Finish and 0.5 GPM VR  
Spray Device w/ Key

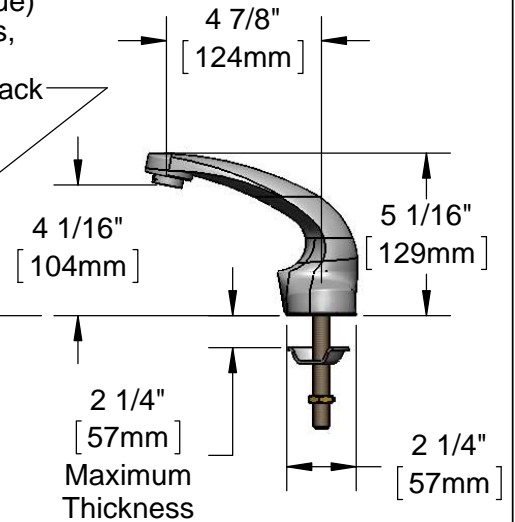
3 5/8" x 4 3/16" x 2" Deep  
[92mm x 106mm x 51mm]  
Water Resistant Control Module Box (Blue)  
w/ Internal Flow Control Setting  
Switches, AC or DC Operated w/ (4) AA Batteries.  
Hardwire Capable Using Terminals on Back

24" [610mm]  
Sensor Cable

Removable  
Strainer

Mounting  
Surface

4"  
[102mm]



1/2" NPSM x  
1/4" NPSM  
18" [457mm]  
Flexible  
Stainless  
Steel Hose

100-240 VAC Adapter  
w/ 144" [3658mm]  
Double Power Cord.  
(Remove Rubber Plugs  
on Module and Cable  
to Connect)

Temperature Mixing Valve  
w/ Integral Check Valves

(2) 3/8" Compression x 1/2" NPSM  
18" [457mm] Flexible Stainless  
Steel Supply Hose

### Rough-In Requirement:

- (1) Ø 1" [25mm] Center Shank Mounting Hole &
- (2) 1/2" [13mm] Mounting Stud Holes (on 4" Centers)

### Product Specifications:

Chrome Plated Brass Electronic Faucet: 4" Deck Mt. Spout w/ VR 0.5 GPM Spray Device, AC/DC Control Module w/ Internal Flow Control Setting Switches, Temperature Control Mixing Valve w/ Integral Check Valves, 18" Flexible Stainless Steel Supply Hoses

### Product Compliance:

ASME A112.18.1 / CSA B125.1  
NSF 61 - Section 9  
NSF 372 (Low Lead Content)  
ANSI A117.1 (ADA)  
UL 1951



# T&S BRASS AND BRONZE WORKS, INC.

2 Saddleback Cove / P.O. Box 1088  
Travelers Rest, SC 29690

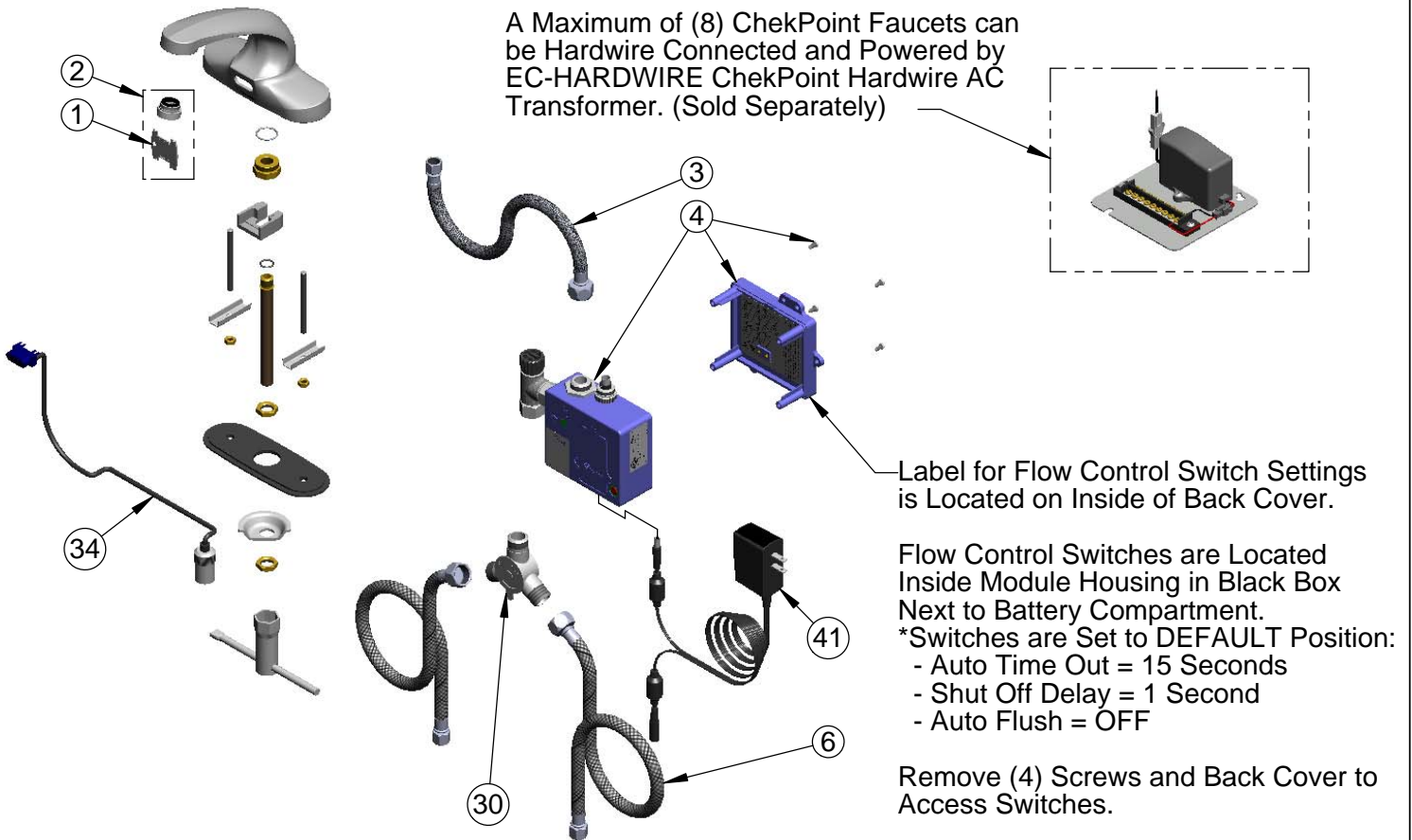
Model No.

**EC-3103-VF05**

Item No.

Travelers Rest, SC: 800-476-4103 • Simi Valley, CA: 800-423-0150 • Fax: 864-834-3518 • www.tsbrass.com

ITEM NO.	SALES NO.	DESCRIPTION
1	015425-45	Vandal Resistant Key
2	B-0199-08-N05	VR 0.5 GPM Spray Device, 13/16-27 UN Male
3	016297-45	Inlet Hose, Faucet, 1/2" NPSM-F x 1/4" NPSM-F
4	016647-45	ChekPoint Electronic Module (Blue)
5	5EF-0002	A/C Transformer
6	5EF-0005	Supply Hose, 9/16-24 Female x 1/2" NPSM
7	5EF-0006	Mechanical Mixing Valve
8	017195-45	Angled Sensor w/ Cable



**\*Available Water Flow Control Selections:**

- Auto Time Out: 15 sec, 30 sec, 45 sec, 60 sec, 3 min, 20 min
- Shut Off Delay: 1 sec, 10 sec, 15 sec, 30 sec
- Auto Flush (30 Seconds After Every 12 Inactive Hours): ON or OFF

**Product Specifications:**

Chrome Plated Brass Electronic Faucet: 4" Deck Mt. Spout w/ VR 0.5 GPM Spray Device, AC/DC Control Module w/ Internal Flow Control Setting Switches, Temperature Control Mixing Valve w/ Integral Check Valves, 18" Flexible Stainless Steel Supply Hoses

**Product Compliance:**

ASME A112.18.1 / CSA B125.1  
NSF 61 - Section 9  
NSF 372 (Low Lead Content)  
ANSI A117.1 (ADA)  
UL 1951