

Item _____

**CURVED GLASS
NON-REFRIGERATED
BAKERY CASE
MODEL ECGD-50
ECGD-59
ECGD-77**

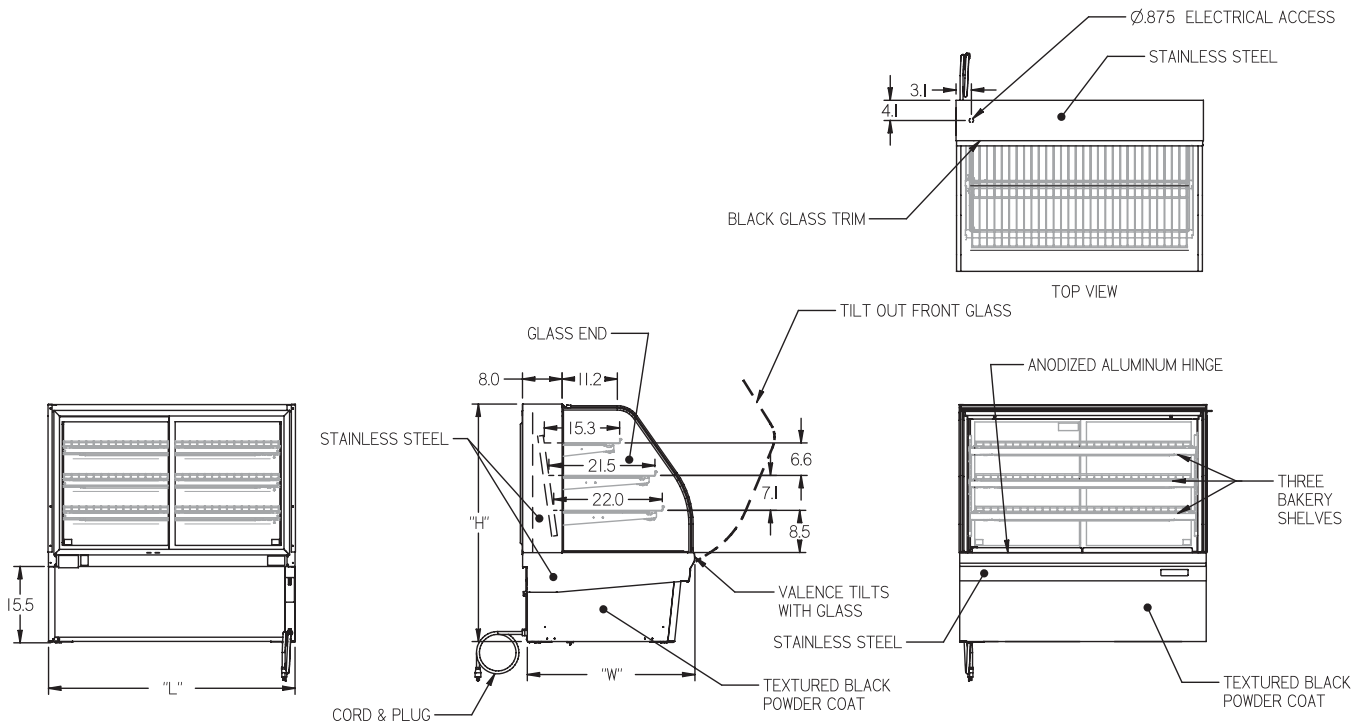


*Curved-glass styling with presentation and value in mind without sacrificing performance.
Cases are available in lengths of 50", 59", and 77".*

STANDARD FEATURES

- Curved glass.
- Adjustable white wire shelves, 3 tiers, can also be tilted.
- Tempered tilt-out front glass.
- Glass ends and doors.
- Removable sliding rear doors, shelf lights, shelf supports, and shelves.
- Top light and shelf lights.
- Steel base construction, textured black powder coat finish.
- Stainless steel top and sides.
- White display deck.
- Light switch.
- UL Safety and UL Sanitation Listed.
- Cord and plug.

ELEMENTS™ CURVED GLASS NON-REFRIGERATED BAKERY CASE



SPECIFICATIONS:

Model	Dimensions L W H	Shipping Weight (lbs)	Electrical 120/60/1
ECGD-50	50.13" x 35.31" x 48"	500	1.5 AMPS
ECGD-59	59.13" x 35.31" x 48"	535	1.5 AMPS
ECGD-77	77.13" x 35.31" x 48"	715	1.5 AMPS

- Due to continuing engineering improvements, specifications are subject to change without notice.



Look to Federal for Innovative Merchandising



The Signature of Quality®

**Federal Industries
A Standex Company
215 Federal Avenue
Belleville WI 53508-9201
Phone: 800-356-4206
Fax: 608-424-3234
Email: geninfo@federalind.com
Web Site: www.federalind.com**