



"Soiled Dish Tables" E - Series

Straight Dish Tables w/ Galvanized Base



STANDARD: 18ga. 300 S/S welded Bowl
18 ga. 300 S/S sides and Splash
10" Back Splash



FEATURES:

- * Standard 18 Gauge
Type 300 stainless steel with # 3 polish, satin finish
- * Full length **10" High Boxed Backsplash**, with 2" return to wall at 45 degree and 3/4" turned down rear lip
- * All outside corners of assembly are Bullnosed to provide safe, clean and polished edge
- * Standard 1-5/8" diameter Galvanized Legs
- * All models are approved by the National Sanitation Foundation

18 GAUGE TOP	Qty
EDTS8-S30-L26	
EDTS8-S30-R26	
EDTS8-S30-L36	
EDTS8-S30-R36	
EDTS8-S30-L48	
EDTS8-S30-R48	
EDTS8-S30-L60	
EDTS8-S30-R60	
EDTS8-S30-L72	
EDTS8-S30-R72	
EDTS8-S30-L96	
EDTS8-S30-R96	

CONSTRUCTION:

Top: Stainless Steel Tops are TIG welded, Exposed welds are polished to match adjacent surface.

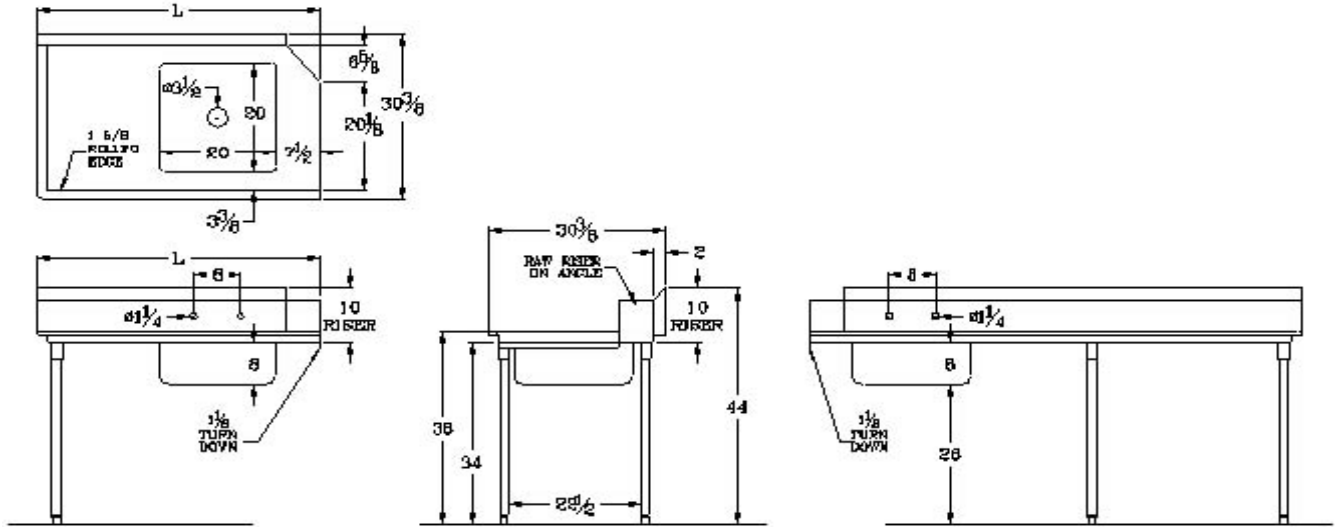
MATERIAL:

Bowls & 18 gauge stainless Steel
Top: Type 300 stainless steel with # 3 polish, satin finish
Legs: 1 5/8" Round O.D., galvanized steel
Gussets: Galvanized
Feet: 1" adjustable plastic bullet feet

John Boos & Co

315 South First Street - Effingham, IL 62401
Phone: 217-347-7701 - Fax: 217-347-7705
Email: sales@johnboos.com - Web-site: www. johnboos.com

DETAILED SPECIFICATIONS



All units ship unassembled for reduced shipping cost.

Units 7 ft. and larger are furnished with four legs.

All dimensions are typical.

Tolerance +/- .500".

STANDARD 18 GAUGE			
MODEL	BOWL SIZE	DIMENSIONS	WT.
EDTS8-S30-L26	20 x 20 x 8	26" x 30-3/8"	36
EDTS8-S30-R26	20 x 20 x 8	26" x 30-3/8"	36
EDTS8-S30-L36	20 x 20 x 8	36" x 30-3/8"	50
EDTS8-S30-R36	20 x 20 x 8	36" x 30-3/8"	50
EDTS8-S30-L48	20 x 20 x 8	48" x 30-3/8"	67
EDTS8-S30-R48	20 x 20 x 8	48" x 30-3/8"	67
EDTS8-S30-L60	20 x 20 x 8	60" x 30-3/8"	84
EDTS8-S30-R60	20 x 20 x 8	60" x 30-3/8"	84
EDTS8-S30-L72	20 x 20 x 8	72" x 30-3/8"	100
EDTS8-S30-R72	20 x 20 x 8	72" x 30-3/8"	100
EDTS8-S30-L96	20 x 20 x 8	96" x 30-3/8"	133
EDTS8-S30-R96	20 x 20 x 8	96" x 30-3/8"	133

John Boos & Co

315 South First - Effingham, IL 62401 Phone: 217-347-7701 - Fax: 217-347-7705

Email: sales@johnboos.com - Web-site: www.johnboos.com



January 2009

John Boos is constantly engaged in a program of improving products and therefore reserves the right to change specification without prior notice