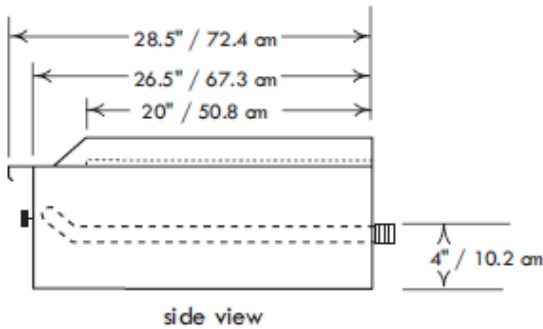
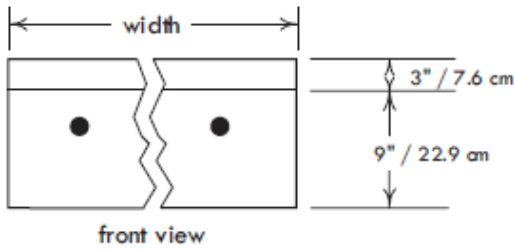




JOB _____ ITEM # _____

Potato Pancake GRIDDLES



Model EG30-PPG

Standard Features & Benefits

CONSTRUCTION: Easy cleaning, corrosion resistant stainless steel. Welded frame with insulated side panels. Stainless steel front control panel. 4" wide stainless steel bull nose landing across the front for control protection. Installation clearances for non-combustible surfaces are 0" on the sides and 0" in the rear, combustible surfaces are 6" on the sides and 6" in the rear.

GRIDDLE PLATE: 24" deep cooking surface for large volume cooking. 1/2" thick for even efficient heat distribution & fast recovery and highly polished to minimize food sticking. 2 1/2" high stainless steel splash guard on all 4 sides is standard, higher sides are also available.

CONTROLS: Equipped with brass gas valves and automatic standing pilots. Pressure regulators are set at the factory for the type of gas specified. Optimal pressures are 4" WC for natural gas & 10" WC for propane. Throttling thermostat controls are available, adjusting from 150F to 450F to provide accurate temperature control to +/- 20F of set point. Manifold size is 3/4" NPT. All controls are tested and confirmed in good working order. Installation, calibration and adjustments are the responsibility of the buyer.

BURNERS: 12" incremental griddles feature 30,000 BTU burners, one for each 12" increment. 30" & 42" models feature 4 & 6 burners respectively, each rated at 16,000 BTU.

OPTIONS & ACCESSORIES: Thermostats, safety pilot controls, extra tall splash guards, gas hoses, knob protectors, carrying handles, spatulas, scrapers and matching equipment stands.

SPECIFICATIONS

Model Number	Width in./mm	# of thermostats	Total BTU	Approx. kg./lbs.
EG24-PPG	24 / 610	0	50,000	68 / 150
EGT24-PPG	24 / 610	1	50,000	68 / 150
EG30-PPG	30 / 762	0	64,000	80 / 175
EGT30-PPG	30 / 762	2	64,000	80 / 175
EG36-PPG	36 / 914	0	75,000	91 / 200
EGT36-PPG	36 / 914	2	75,000	91 / 200
EG42-PPG	42 / 1069	0	96,000	107 / 235
EGT42-PPG	42 / 1069	2	96,000	107 / 235
EG48-PPG	48 / 1219	0	100,000	125 / 275
EGT48-PPG	48 / 1219	2	100,000	125 / 275
EG60-PPG	60 / 1524	0	125,000	152 / 335
ET60-PPG	60 / 1524	2	125,000	152 / 335

NOTICE: In an ongoing effort of product development & improvement, Comstock-Castle reserves the right to change specifications and product design without notice. Such modifications do not entitle the buyer to corresponding changes or replacements for previously purchased equipment.



Comstock-Castle Stove Co. • 119 W. Washington St. • Quincy, IL. 62301
Tel.: 217-223-5070 • Fax: 217-223-0007 • www.castlestove.com



