



## "EPT6R5" Stainless Steel Prep Table w/ Sink

w/ 16 Gauge Stainless Steel Work Top  
w/ Galvanized Base & Adjustable Undershaft



Item #	_____	Qty	_____
Model #	_____		
Project	_____		

16 GAUGE TOP w/ ADJUSTABLE UNDERSHELF



30"WIDE	Qty
EPT6R5-3060GSK-L	
EPT6R5-3060GSK-R	
EPT6R5-3072GSK-L	
EPT6R5-3072GSK-R	

L = Left Bowl  
R = Right Bowl

# Adjustable Shelf

### FEATURES:

- \* 16 Gauge Stainless Steel Top with 5" Riser & turndown  
Type 300 stainless steel with # 4 polish, satin finish
- \* 1 1/2" **Stallion Edge** on front with  
side edges 90 degree bend down for table line-up
- \* (1) 16"x20"x12" Bowl
- \* Galvanized Base with **Adjustable** Undershaft
- \* Adjustable bullet feet
- \* Shipped knocked-down, easy - to - assemble
- \* NSF Approved
- \*\* Includes (1) Deck Mount Faucet 4" o/c w/ 10" Swing Spout

### CONSTRUCTION:

Top: Stainless Steel Tops are TIG welded, Exposed welds are polished to match adjacent surface.

### MATERIAL:

Top: 16 gauge stainless steel  
Type 300 stainless steel with # 4 polish, satin finish

Shelf: 18 gauge galvanized

Legs: 1 5/8" Round O.D., 16 gauge tubular galvanized steel

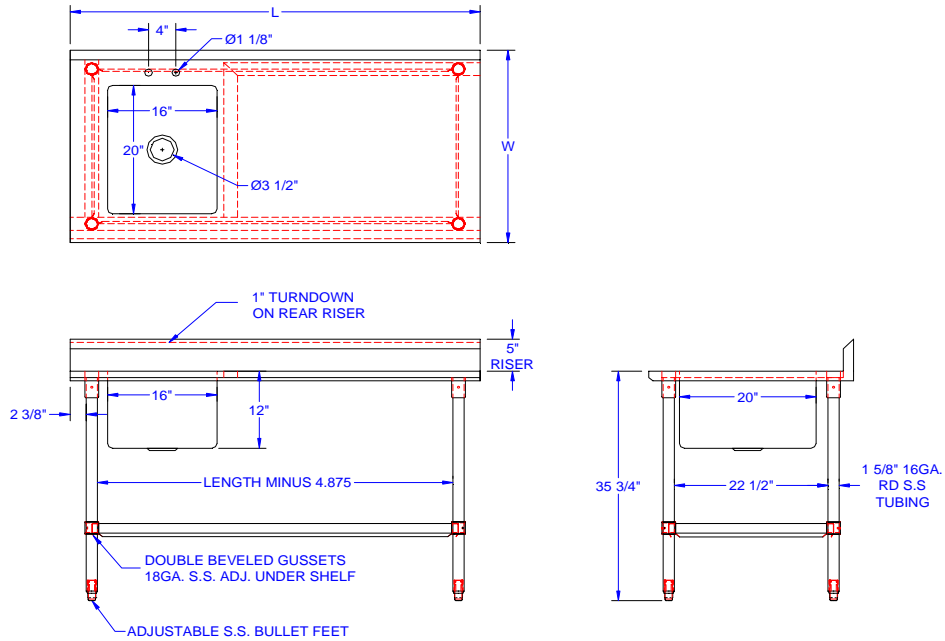
Gussets: Stainless Steel

Feet: 1" adjustable bullet feet

## John Boos & Co

315 South First Street - Effingham, IL 62401  
Phone: 217-347-7701 - Fax: 217-347-7705  
Email: sales@johnboos.com - Web-site: www.johnboos.com

# DETAILED SPECIFICATIONS



All units ship unassembled for reduced shipping cost.  
 All dimensions are typical.  
 Tolerance +/- .500".

Finished size of undershelf.  
 Shelf length = length minus 4.875"  
 Shelf width = width minus 4.25"

## 16 GAUGE TOP & UNDERSHELF

L	30" WIDE	W
60	EPT6R5-3060GSK-L	171
60	EPT6R5-3060GSK-R	171
72	EPT6R5-3072GSK-L	202
72	EPT6R5-3072GSK-R	202

5 = Height of Risier w/ turndown  
R = Risier Top Work Table  
6 = 16. ga Work Surface  
EPT = Ecomony Prep Table

Witdh  
Length  
GS = Galvanized Legs & Shelf  
K = K.D. w/ Adjustable Shelf  
Bowl Location

EPT6R5-3060GSK-L

### John Boos & Co

315 South First - Effingham, IL 62401 Phone: 217-347-7701 - Fax: 217-347-7705  
 Email: sales@johnboos.com - Web-site: www.johnboos.com



June 2011

John Boos is constantly engaged in a program of improving products and therefore reserves the right to change specification without prior notice