



"EPT6R5" Stainless Steel Prep Table w/ Sink

w/ 16 Gauge Stainless Steel Work Top
w/ Galvanized Base & Adjustable Undershell



Item #	_____	Qty	_____
Model #	_____		
Project	_____		

16 GAUGE TOP w/ ADJUSTABLE UNDERSHELL



30"WIDE	Qty
EPT6R5-3060GSK-L	
EPT6R5-3060GSK-R	
EPT6R5-3072GSK-L	
EPT6R5-3072GSK-R	

L = Left Bowl
R = Right Bowl

Adjustable Shelf

FEATURES:

- * 16 Gauge Stainless Steel Top with 5" Riser & turndown
Type 300 stainless steel with # 4 polish, satin finish
- * 1 1/2" **Stallion Edge** on front with
side edges 90 degree bend down for table line-up
- * (1) 16"x20"x12" Bowl
- * Galvanized Base with **Adjustable** Undershell
- * Adjustable bullet feet
- * Shipped knocked-down, easy - to - assemble
- * NSF Approved
- ** Includes (1) Deck Mount Faucet 4" o/c w/ 10" Swing Spout

CONSTRUCTION:

Top: Stainless Steel Tops are TIG welded, Exposed welds are polished to match adjacent surface.

MATERIAL:

Top: 16 gauge stainless steel
Type 300 stainless steel with # 4 polish, satin finish

Shelf: 18 gauge galvanized

Legs: 1 5/8" Round O.D., 16 gauge tubular galvanized steel

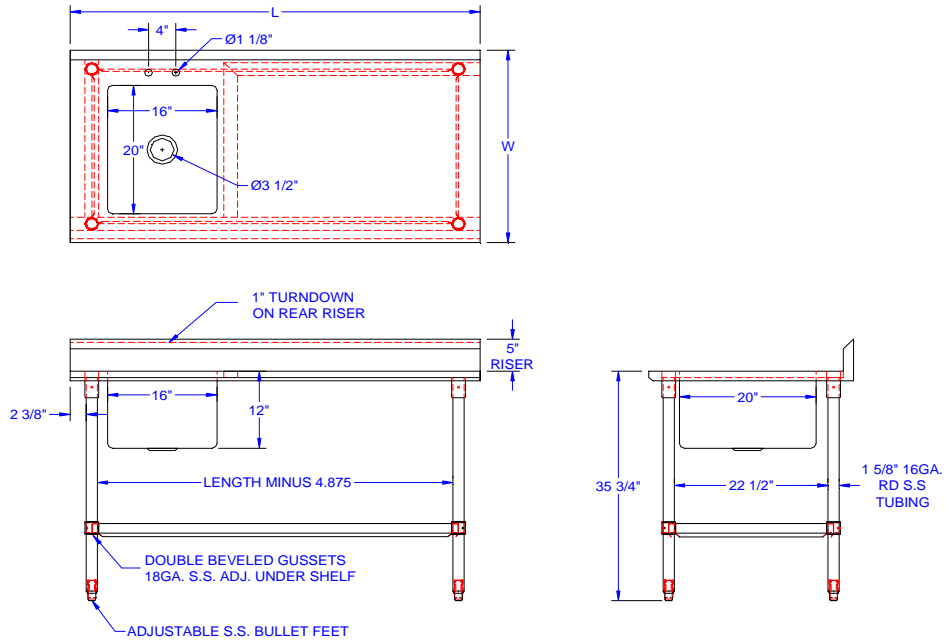
Gussets: Stainless Steel

Feet: 1" adjustable bullet feet

John Boos & Co

315 South First Street - Effingham, IL 62401
Phone: 217-347-7701 - Fax: 217-347-7705
Email: sales@johnboos.com - Web-site: www.johnboos.com

DETAILED SPECIFICATIONS



All units ship unassembled for reduced shipping cost.
 All dimensions are typical.
 Tolerance +/- .500".

Finished size of undershelf.
 Shelf length = length minus 4.875"
 Shelf width = width minus 4.25"

16 GAUGE TOP & UNDERSHELF

L	30" WIDE	W
60	EPT6R5-3060GSK-L	171
60	EPT6R5-3060GSK-R	171
72	EPT6R5-3072GSK-L	202
72	EPT6R5-3072GSK-R	202

5 = Height of Riser w/ turndown
R = Riser Top Work Table
6 = 16. ga Work Surface
EPT = Economy Prep Table

Width
Length
GS = Galvanized Legs & Shelf
K = K.D. w/ Adjustable Shelf
Bowl Location

EPT6R5-3060GSK-L

John Boos & Co

315 South First - Effingham, IL 62401 Phone: 217-347-7701 - Fax: 217-347-7705
 Email: sales@johnboos.com - Web-site: www.johnboos.com



June 2011

John Boos is constantly engaged in a program of improving products and therefore reserves the right to change specification without prior notice