

Product Specification Sheet

Model Style: EVO - Gelato



EVO-G9-53-66-12P

EVO Gelato/Ice Cream Display Showcases, are designed in three lengths 46.92", 66.60", & 86.30" x 52"-61" high. They feature self-contained and remote styles refrigeration and holds 5 or 12 liter gelato pans. Cases have heated glass front & sides, hydraulic lift up front glass, a roll down rear curtain & incline display digital diagnostic control with programmable defrosting. LED lighting, removable stainless steel deck, 304 high gloss stainless steel back & inside, silver anodized trim are standard. Service merchandiser, cooler, dipping cabinet, showcase comes with factory standard, matte white front & side panels. They are available in both self-contained and remote styles.

Self Contained									
Model No.	Application	Description	Height	Length	Depth	Weights	Voltage	Amps	HP
EVO-G6-53-47-5P	Gelato	Pan 5 Liter x 12	52.61"	46.92"	41.72"	950#	220/60/1	12	1½ HP
EVO-G6-53-47-12P	Gelato	Pan 12 liter x 8*	52.61"	46.92"	41.72"	950#	220/60/1	12	1½ HP
EVO-G9-53-66-5P	Gelato	Pan 5 Liter x 18	52.61"	66.60"	41.72"	1110#	220/60/1	14	2 HP
EVO-G9-53-66-12P	Gelato	Pan 12 liter x 12*	52.61"	66.60"	41.72"	1110#	220/60/1	14	2 HP
EVO-G12-53-86-5P	Gelato	Pan 5 Liter x 24	52.61"	86.30"	41.72"	1250#	220/60/1	24	2 x 1½ HP
EVO-G12-53-86-12P	Gelato	Pan 12 liter x 16*	52.61"	86.30"	41.72"	1250#	220/60/1	24	2 x 1½ HP

Remote									
Model No.	Application	Description	Height	Length	Depth	Weights	Voltage	Amps	BTUs
R-EVO-G6-53x47-5P	Gelato	Pan 5 Liter x 12	52.61"	46.92"	41.72"	950#	220/60/1	5	3069
R-EVO-G6-53x47-12P	Gelato	Pan 12 liter x 8*	52.61"	46.92"	41.72"	950#	220/60/1	5	3069
R-EVO-G9-53x66-5P	Gelato	Pan 5 Liter x 18	52.61"	66.60"	41.72"	1110#	220/60/1	6	6138
R-EVO-G9-53x66-12P	Gelato	Pan 12 liter x 12*	52.61"	66.60"	41.72"	1110#	220/60/1	6	6138
R-EVO-G12-53x86-5P	Gelato	Pan 5 Liter x 24	52.61"	86.30"	41.72"	1250#	220/60/1	8	7850
R-EVO-G12-53x86-12P	Gelato	Pan 12 liter x 16*	52.61"	86.30"	41.72"	1250#	220/60/1	8	7850

*No reserve pan storage.

Features

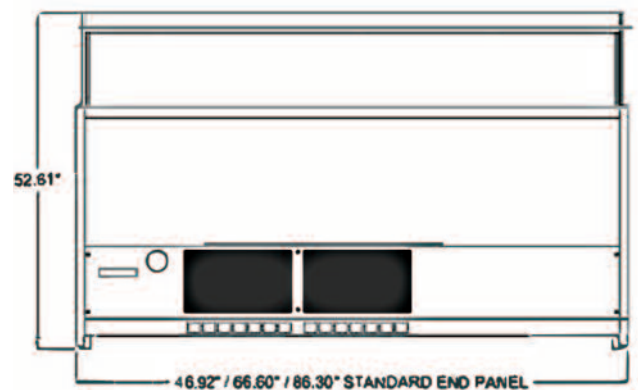
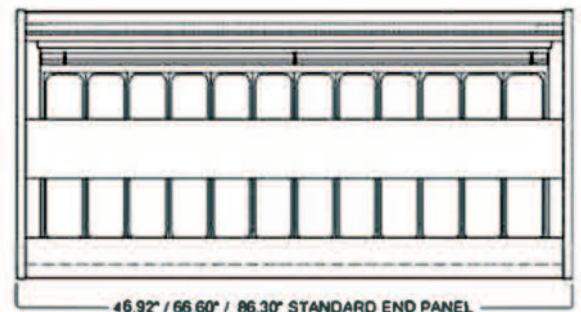
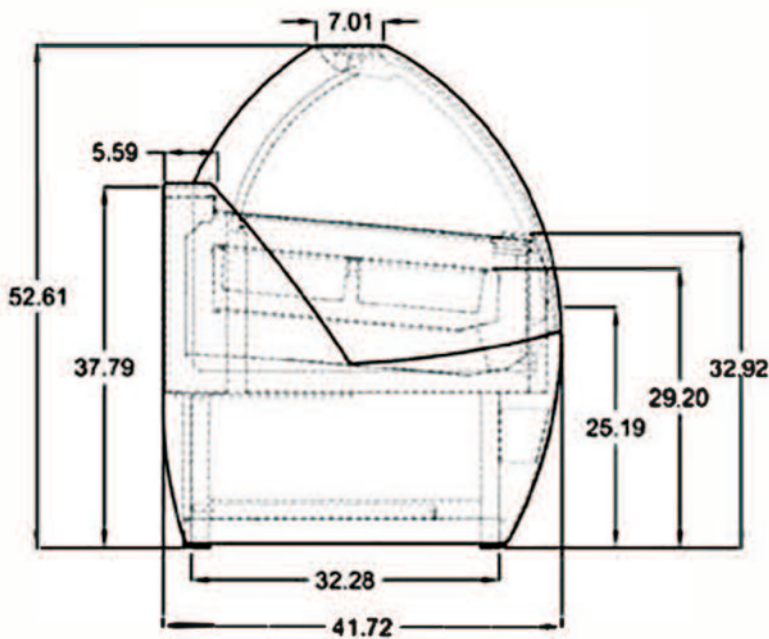
- Self-Contained, Air-Cooled Condensing Unit
- LED Lighting
- Steel Chassis Construction
- Standard Creme Front and Side Panels (RAL-9001)
- Roll Down Rear Curtain
- Unique Fan Assisted Airflow Design
- Insulated with Dense Non-CFCEcologic Polyurethane Foam
- Back and Inside Structure Made of High Gloss 304 Stainless Steel

- Heated Front and Side Glass
- Hydraulic Lift Up Front Glass
- Stainless Steel Work Surface
- Digital Diagnostic Control System with Programmable Defrosting
- Temperature Range: -10° to +10°

Optional Features

- Casters
- Color Options

SIDE VIEW & PLAN VIEW



Required ambient conditions: 75°F; 55% Relative Humidity
 Drawings and Specification are subject to change without notice.

ELECTRICAL CONNECTION:
 Display cases are shipped with applicable junction box for hardwired installation
 Options exist for several NEMA configurations
 Plug and/or receptacle configurations are at the discretion of the electrical installer

ORION by CLABO

HMC Enterprises LLC, 831 East Cayuga Street, Philadelphia, PA. 19124 Ph: 1-800-344-8222 • 215-464-6800 • www.ORIONbyClabo.com

Revised 8/2018