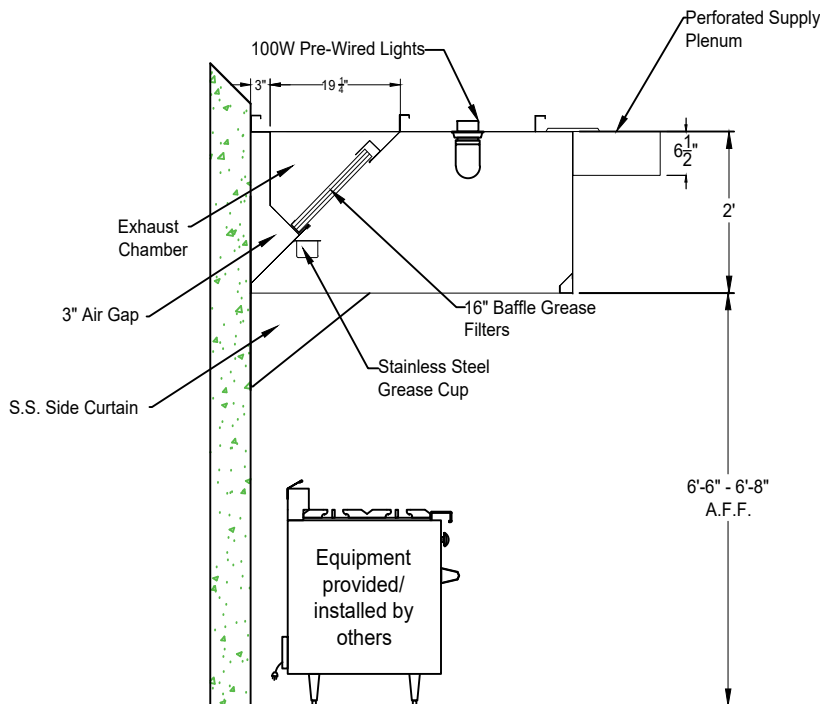


It is the responsibility of the architect/owner to ensure that the hood clearance from limited-combustible and combustible materials is in compliance with local code requirements



Box Canopy w/ Perforated Supply Plenum (TYPE I)

Hood General Specifications

- Hoods are built in accordance with NFPA 96, NSF Specifications and Conforms to UL listed to ANSI / UL and CAN / ULC
- Hoods are constructed of 18 gauge steel
- All joints are welded liquid tight, without seams
- Grease Filters are 16" stainless steel baffle type which carry a UL listing
- Grease trough is made to receive grease extracted by the filter
- Each Grease trough is equipped with a stainless steel cup
- Factory does not cut holes in hood
- Standard 430 all stainless steel where exposed (front and ends)

