



Profit from the Eagle Advantage®

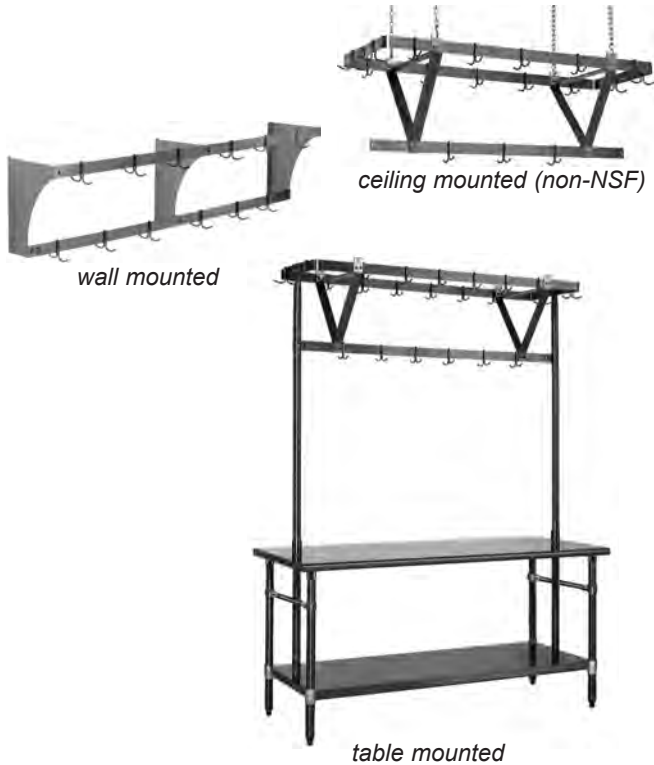
# Specification Sheet

## Short Form Specifications

Eagle Table Mounted Rack, model \_\_\_\_\_.  
 Constructed of 3/8" x 2" (aluminum or stainless steel) flat bar, bolted together. Triple bar construction, furnished with one stainless steel double prong sliding pot hook every 12". 1 1/2" O.D. stainless steel tubular supports extend through table and are secured to adjustable undershelf. Available with optional 12" wide 16/304 stainless steel shelf.

Eagle Ceiling Mounted Rack, model \_\_\_\_\_.  
 Constructed of 3/8" x 2" (aluminum or stainless steel) flat bar, bolted together. Triple bar construction, furnished with one stainless steel double prong sliding pot hook every 12". Provided with plated chain hangers for ceiling suspension.

Eagle Wall Mounted Rack, model \_\_\_\_\_.  
 Constructed of 3/8" x 2" (aluminum or stainless steel) flat bar bolted together. Furnished with one stainless steel double prong sliding pot hook every 12", and provided with stainless steel mounting brackets.



Item No.: \_\_\_\_\_  
 Project No.: \_\_\_\_\_  
 S.I.S. No.: \_\_\_\_\_

## Racks

### MODELS:

- |                                 |                                 |                                 |
|---------------------------------|---------------------------------|---------------------------------|
| <input type="checkbox"/> CM36*  | <input type="checkbox"/> TM36*  | <input type="checkbox"/> WM36*  |
| <input type="checkbox"/> CM48*  | <input type="checkbox"/> TM48*  | <input type="checkbox"/> WM48*  |
| <input type="checkbox"/> CM60*  | <input type="checkbox"/> TM60*  | <input type="checkbox"/> WM60*  |
| <input type="checkbox"/> CM72*  | <input type="checkbox"/> TM72*  | <input type="checkbox"/> WM72*  |
| <input type="checkbox"/> CM84*  | <input type="checkbox"/> TM84*  | <input type="checkbox"/> WM84*  |
| <input type="checkbox"/> CM96*  | <input type="checkbox"/> TM96*  | <input type="checkbox"/> WM96*  |
| <input type="checkbox"/> CM108* | <input type="checkbox"/> TM108* | <input type="checkbox"/> WM108* |
| <input type="checkbox"/> CM120* | <input type="checkbox"/> TM120* | <input type="checkbox"/> WM120* |
| <input type="checkbox"/> CM132* | <input type="checkbox"/> TM132* | <input type="checkbox"/> WM132* |
| <input type="checkbox"/> CM144* | <input type="checkbox"/> TM144* | <input type="checkbox"/> WM144* |

\* See charts on back for full model numbers.

### Ceiling mounted (non-NSF)

- Racks are triple-bar construction.
- Supported with plated chain hangers supplied.
- Available in stainless steel or aluminum.
- Provided with double-pronged pot hooks.

### Wall Mounted

- Racks are double-bar construction.
- Supplied with die-formed stainless steel brackets.
- Available in stainless steel or aluminum.
- Provided with double-pronged pot hooks.

### Table Mounted

- Racks are triple-bar construction.
- Front-to-back adjustable crossbracing, plus adjustable undershelf.
- 1 1/2" (41mm) tubular stainless steel supports extend through tabletop and are secured to adjustable undershelf. Units 108" (2743mm) and longer have three supports.
- Provided with double-pronged pot hooks.
- Available in stainless steel or aluminum.

### Options / Accessories

- Additional sliding hooks
- All-welded construction
- 12"-wide adjustable shelves (for Table Mounted Racks)

**EAGLE GROUP**  
 100 Industrial Boulevard, Clayton, DE 19938-8903 USA  
 Phone: 302-653-3000 • Fax: 302-653-2065  
 www.eaglegrp.com

**Foodservice Division: Phone 800-441-8440**  
**MHC/Retail Display Divisions: Phone 800-637-5100**

For custom configuration or fabrication needs, contact our **SpecFAB® Division**.  
 Phone: 302-653-3000 • Fax: 302-653-3091 • e-mail: specfab@eaglegrp.com



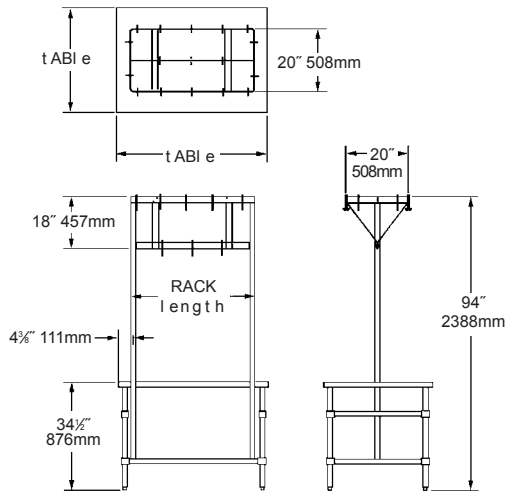
EG10.12 Rev. 06/14

**Spec sheets available for viewing, printing or downloading from our online literature library at [www.eaglegrp.com](http://www.eaglegrp.com)**



Item No.: \_\_\_\_\_  
 Project No.: \_\_\_\_\_  
 S.I.S. No.: \_\_\_\_\_

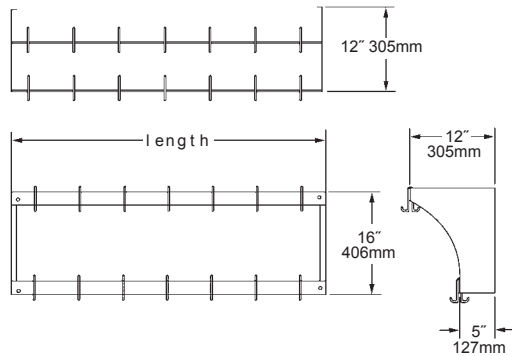
### Table Mounted Racks



ALUMINUM		STAINLESS STEEL		rack length		fits table length	
model #	weight lbs. kg	model #	weight lbs. kg	in.	mm	in.	mm
TM36APR	38 17.2	TM36PR	50 22.7	28"	711	36"	914
TM48APR	42 19.1	TM48PR	57 25.9	40"	1016	48"	1219
TM60APR	46 20.9	TM60PR	64 29.0	52"	1321	60"	1524
TM72APR	50 22.7	TM72PR	70 31.8	64"	1626	72"	1829
TM84APR	54 24.5	TM84PR	77 34.9	76"	1930	84"	2134
TM96APR	58 26.3	TM96PR	83 37.6	88"	2235	96"	2438
TM108APR*	62 28.1	TM108PR*	89 40.4	100"	2540	108"	2743
TM120APR*	66 29.9	TM120PR*	95 43.1	112"	2845	120"	3048
TM132APR*	71 32.2	TM132PR*	102 46.3	124"	3150	132"	3353
TM144APR*	76 34.5	TM144PR*	109 49.4	136"	3454	144"	3658

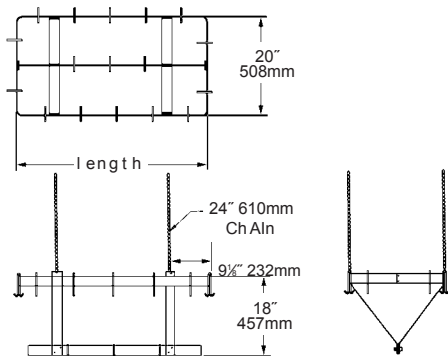
\* These racks include center tubular support.

### Wall Mounted Racks



ALUMINUM		STAINLESS STEEL		rack length	
model #	weight lbs. kg	model #	weight lbs. kg	in.	mm
WM36APR	13 5.8	WM36PR	18 8.2	36"	914
WM48APR	15 6.8	WM48PR	22 10.0	48"	1219
WM60APR	17 7.7	WM60PR	26 11.8	60"	1524
WM72APR	19 8.6	WM72PR	29 13.2	72"	1829
WM84APR	21 9.5	WM84PR	33 15.0	84"	2134
WM96APR	23 10.4	WM96PR	37 16.8	96"	2438
WM108APR	25 11.3	WM108PR	41 18.6	108"	2743
WM120APR	28 12.7	WM120PR	45 20.4	120"	3048
WM132APR	31 14.1	WM132PR	50 22.7	132"	3353
WM144APR	34 15.4	WM144PR	55 24.9	144"	3658

### Ceiling Mounted Racks



ALUMINUM		STAINLESS STEEL		rack length	
model #	weight lbs. kg	model #	weight lbs. kg	in.	mm
CM36APR	28 12.7	CM36PR	41 18.6	28"	711
CM48APR	32 14.5	CM48PR	48 21.8	40"	1016
CM60APR	36 16.3	CM60PR	54 24.5	52"	1321
CM72APR	40 18.1	CM72PR	60 27.2	64"	1626
CM84APR	44 20.0	CM84PR	67 30.4	76"	1930
CM96APR	48 21.8	CM96PR	74 33.6	88"	2235
CM108APR	53 24.0	CM108PR	81 36.7	100"	2540
CM120APR	58 26.3	CM120PR	87 39.5	112"	2845
CM132APR	63 28.6	CM132PR	94 42.6	124"	3150
CM144APR	68 30.8	CM144PR	101 45.8	136"	3454

**EAGLE GROUP**  
 100 Industrial Boulevard, Clayton, DE 19938-8903 USA  
 Phone: 302-653-3000 • Fax: 302-653-2065  
 www.eaglegrp.com

Foodservice Division: Phone 800-441-8440  
 MHC/Retail Display Divisions: Phone 800-637-5100

Printed in U.S.A.  
 ©2014 by Eagle Group

Rev. 06/14

Spec sheets available for viewing, printing or downloading from our online literature library at [www.eaglegrp.com](http://www.eaglegrp.com)

Although every attempt has been made to ensure the accuracy of the information provided, we cannot be held responsible for typographical or printing errors. Information and specifications are subject to change without notice. Please confirm at time of order.