

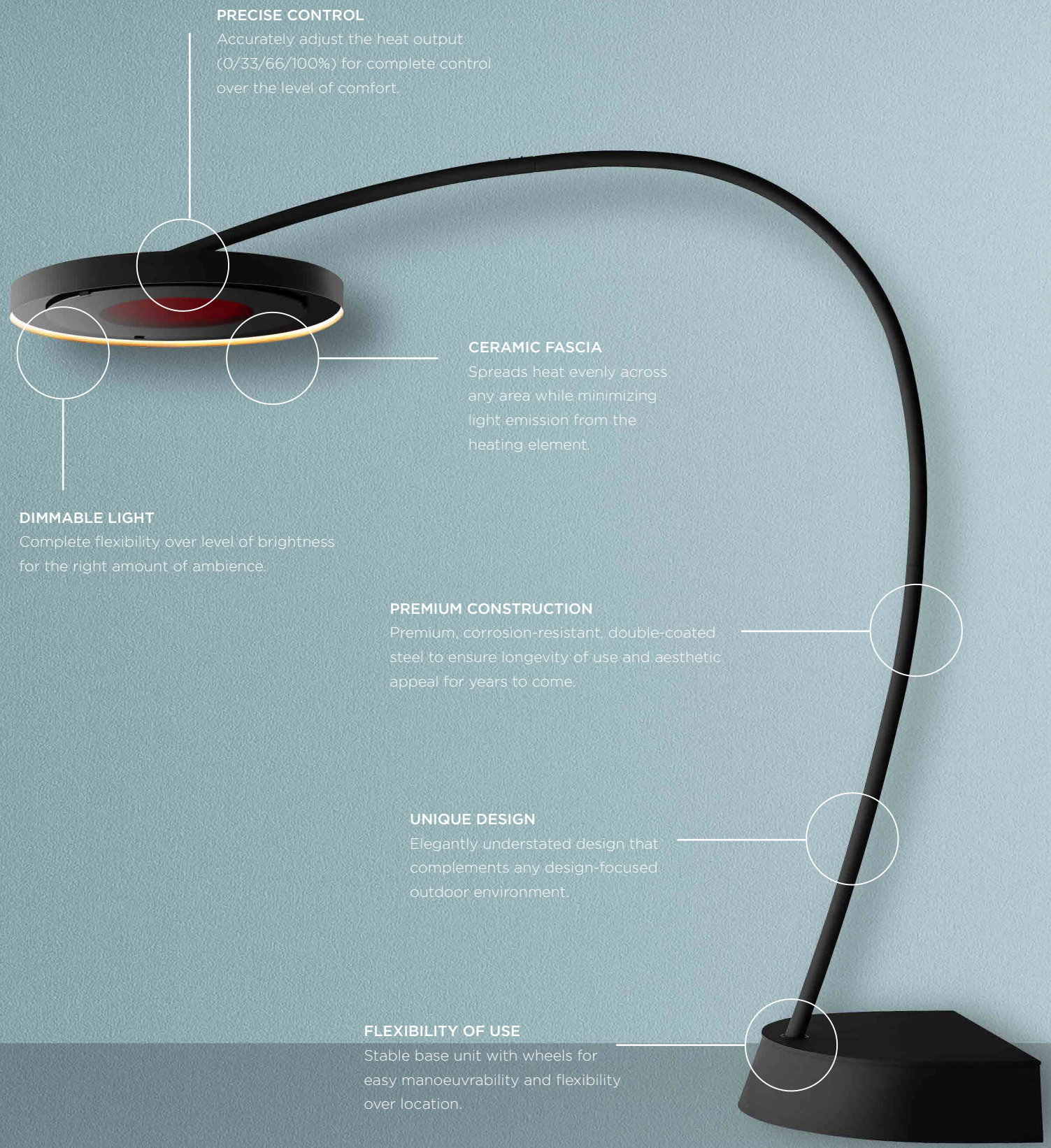
BROMIC[®]
HEATING



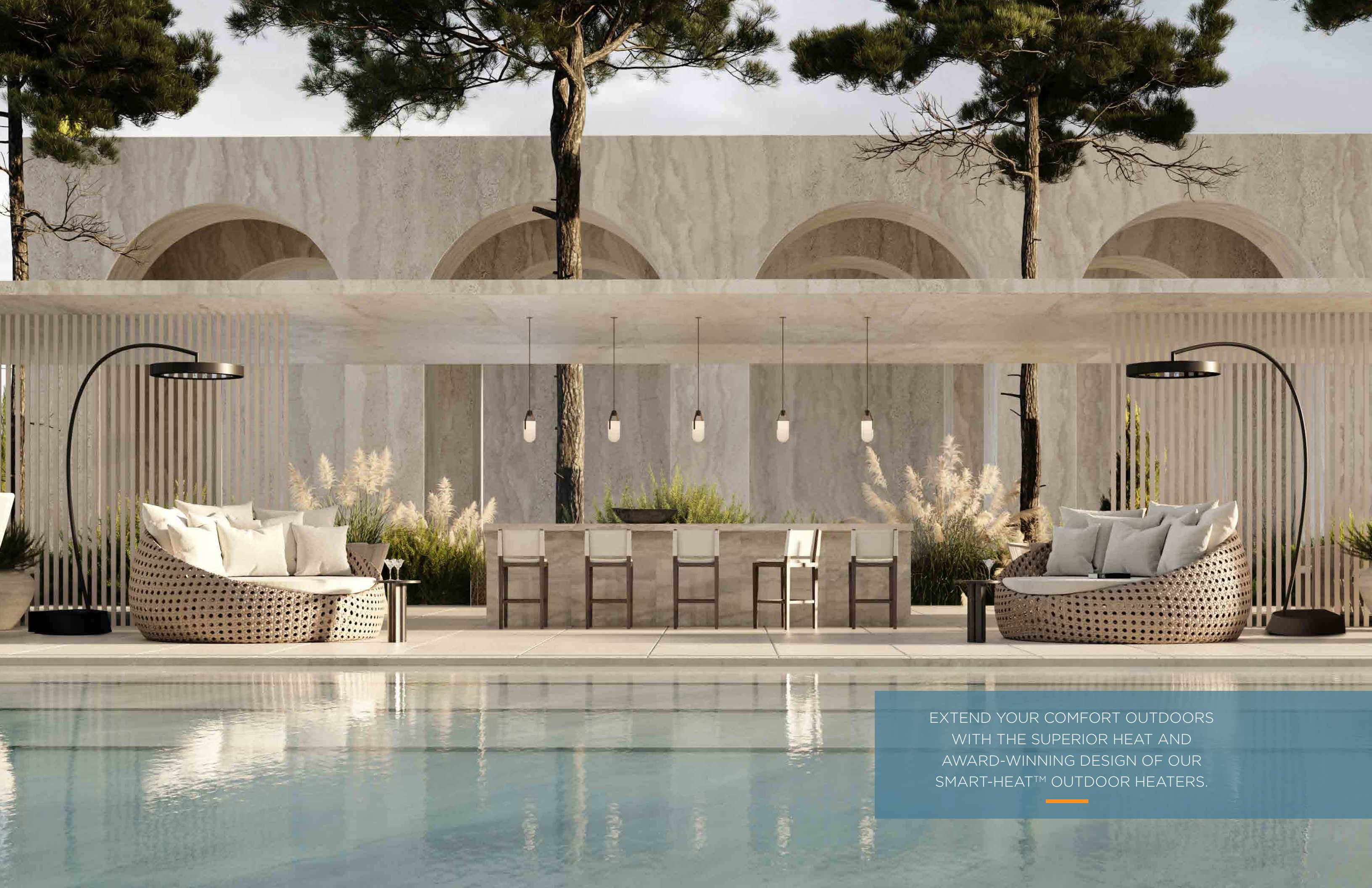
ECLIPSE
SMART-HEAT™ ELECTRIC
PORTABLE

ECLIPSE SMART-HEAT™ PORTABLE

Dim the lights and turn up the heat with our Eclipse Smart-Heat™ Electric Portable heater. Featuring a striking, elegant design, this powerful heater will bring both warmth and light to design-focused outdoor spaces.



COMPATIBLE WITH
SMART-WIRELESS
TECHNOLOGY



EXTEND YOUR COMFORT OUTDOORS
WITH THE SUPERIOR HEAT AND
AWARD-WINNING DESIGN OF OUR
SMART-HEAT™ OUTDOOR HEATERS.

ECLIPSE SMART-HEAT™ ELECTRIC PORTABLE

MODEL

PRODUCT CODE	BH0820001-1
FUEL TYPE	ELECTRIC (2900W)
COLOR	MATTE BLACK
MATERIAL (HEATER HEAD)	PREMIUM COATED 304 STAINLESS STEEL
MATERIAL (FREESTANDING FRAME)	PREMIUM, DOUBLE COATED STEEL
HEAT AREA	121FT ²
LED COLOR	WARM WHITE - DIMMABLE
LED TEMPERATURE	3000K
LED LUMENS	216.6
RATED CURRENT & VOLTAGE	11.4 A (220V) / 11.8 A (230V) / 12.1 A (240V)
MINIMUM FLOOR CLEARANCE	79"

MOUNTING OPTIONS

FREESTANDING	✓
--------------	---

CONTROL OPTIONS

DIMMER CONTROL	INCLUDED
MASTER REMOTE ECLIPSE*	BH3623002-1 (OPTIONAL)

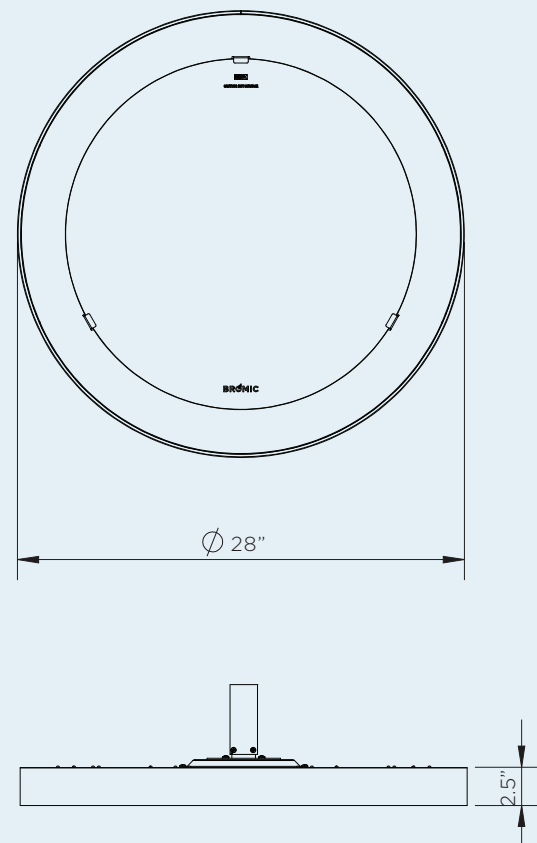
*Control up to six zones of heaters with unlimited heaters per zone from a single remote. Dimmer control required.

Measurements displayed within this catalog are minimum requirements for installation.

Bromic takes no responsibility for incorrect or non-compliant installations.

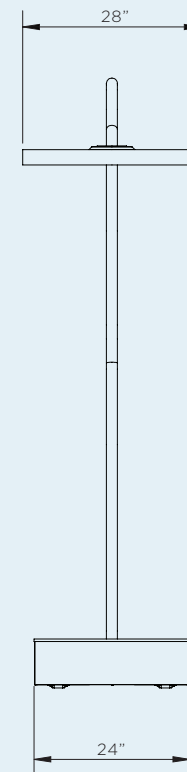
All measurements in this catalog are displayed in inches.

PRODUCT MEASUREMENTS

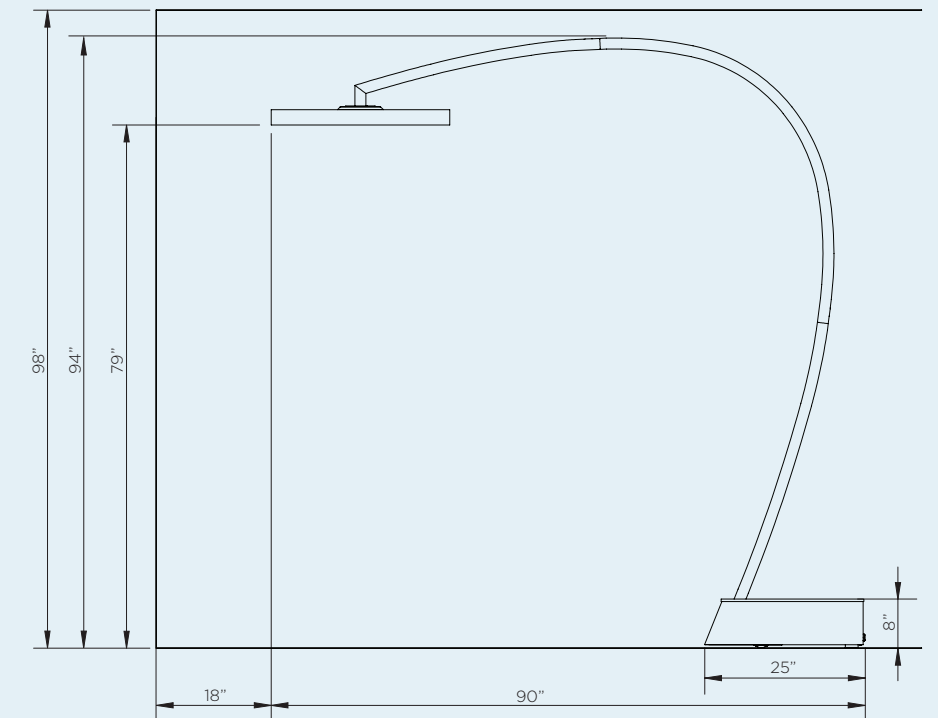


FREESTANDING

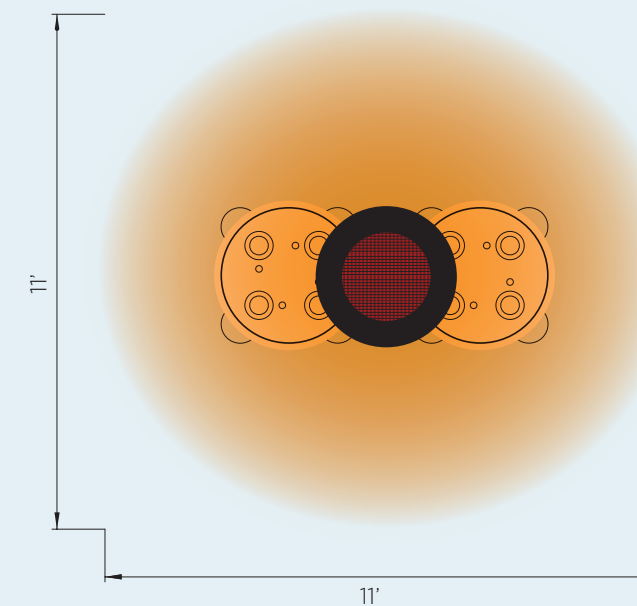
FRONT VIEW



CEILING & WALL CLEARANCE



HEAT AREA



2900W SERIES
HEATING APPROXIMATELY 121FT²
2900W HEATING POWER

*HEAT AREA DEPENDENT ON AMBIENT TEMPERATURE AND WIND. OPTIMUM CONDITIONS EXPERIENCED AT APPROX 60°F AND IN A LOW WIND COVERED ENVIRONMENT.

EXPLORE THE POSSIBILITIES

With the Bromic Smart-Heat™ complimentary design service, designing a solution to optimize heating for your outdoor spaces is simple.

BROMIC.COM

ASIA PACIFIC | NORTH AMERICA | EUROPE

Bromic pursues a policy of continuing improvement in design and performance of its products. The right is therefore reserved to vary specifications without notice.

01.2022