



Food Processor Cutter mixer 11.5l/12.2qt, 2 speed, 2200w

ITEM # _____
 MODEL # _____
 NAME # _____
 SIS # _____
 AIA # _____



602254 (DK120S2U)

Cutter Mixer with 11,5lt/12.2qt stainless steel bowl with clear, BPA-free lid and with bowl scraper, microtoothed blades, 2 speeds.

Short Form Specification

Item No. _____

Cutter Mixer with 11,5lt/12.2qt stainless steel bowl with clear, BPA-free lid and with bowl scraper, microtoothed blades, 2 speeds.

Main Features

- Cutter mixer allows fast liquidizing, mixing, mincing, chopping and pastry-making.
- Lid with opening to add ingredients in mid-cycle.
- Base fixed cover for a better handling.
- Pulse function to coarse chopping.
- Productivity suitable for 100-200 meals per service.
- Delivered with:-3gal (12.2qt or 11.5lt) stainless steel bowl with max liquid level indication to avoid spillage-micro toothed perforated blade-scraper
- Angled perforated knives and conical base of the bowl ensure consistent mixing.
- Cover metal frame to ensure seal water tightness to avoid leakage.
- All parts in contact with food are removable without tools and dishwasher safe.

Construction

- 2 speeds: 1500 and 3000 rpm.
- Power: 2200 watts.
- IP65 touch button control panel.
- Transparent polycarbonate cover incorporates a magnetic contact safety system.
- 304 AISI stainless steel bowl with leak resistant spout and handles, easy to manage.
- Scraper with Stainless Steel handle, easy to dismount.
- Cover handle with double safety locking system.
- For user safety, user is required to press the start button to restart the machine after a power cut off.
- Asynchronous silent industrial motor for heavy duty and longer life.

Included Accessories

- 1 of Scraper for K120S and KE120S cutter mixer PNC 650059
- 1 of Microtoothed blade rotor for 11,5 lt cutter mixer PNC 650060
- 1 of Stainless steel bowl for 11,5 lt cutter mixer PNC 650073

Optional Accessories

- Scraper for K120S and KE120S cutter mixer PNC 650059
- Microtoothed blade rotor for 11,5 lt cutter mixer PNC 650060
- Stainless steel bowl for 11,5 lt cutter mixer PNC 650073
- Stainless steel mobile stand. PNC 653017
- Smooth blade rotor for 12.2 qt. cutter-mixer. PNC 653179
- Serrated blade rotor for 12.2 qt. cutter-mixer. PNC 653299

APPROVAL: _____

Cutter mixer 11.5l/12.2qt, 2 speed, 2200w
Food Processor



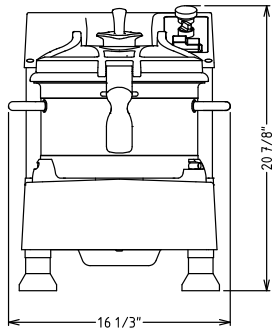
Food Processor Cutter mixer 11.5l/12.2qt, 2 speed, 2200w

- Serrated blade rotor for meat for 11,5 PNC 653538
It cutter mixer

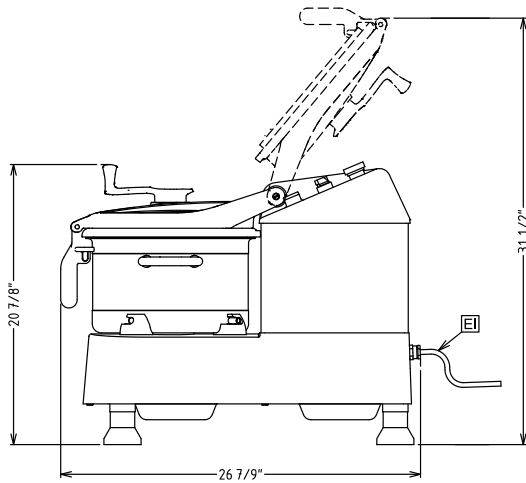


Food Processor Cutter mixer 11.5l/12.2qt, 2 speed, 2200w

Front

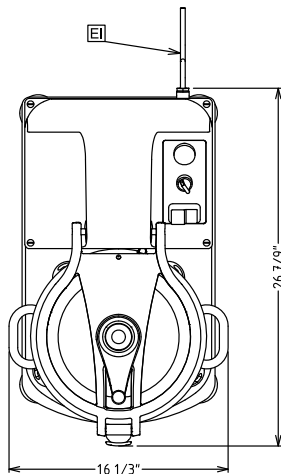


Side



EI = Electrical connection

Top



Electric

Supply voltage:

602254 (DK120S2U)

208-240 V/3 ph/60 Hz

Total Watts:

2.2 kW

Plug type:

USA NEMA L15-20P

Key Information:

**External dimensions,
Width:**

16 3/8" (416 mm)

**External dimensions,
Depth:**

26 3/4" (680 mm)

**External dimensions,
Height:**

20 3/8" (517 mm)

Shipping width:

31 11/16" (805 mm)

Shipping depth:

20 1/4" (515 mm)

Shipping height:

31 5/16" (795 mm)

Shipping weight:

165 lbs (75 kg)

Food Processor
Cutter mixer 11.5l/12.2qt, 2 speed, 2200w

The company reserves the right to make modifications to the products
without prior notice. All information correct at time of printing.

2023.09.25