



# BEVERAGE-AIR

|                 |            |
|-----------------|------------|
| Project: _____  | AIA# _____ |
| Item: _____     |            |
| Location: _____ | SIS# _____ |
| Approved: _____ |            |

## VISTA® BOTTOM MOUNT REACH-IN FREEZER

FB27HC Solid Door Reach-in Freezer  
Hydrocarbon Series

MODEL:

FB27HC-1-S



**3 Year Parts/Labor Warranty**  
**Additional 4 Year Compressor Warranty**

### CABINET CONSTRUCTION

- Stainless steel front and door, gray painted sides
- Gray painted aluminum interior
- Full electronic control
- LED lighting
- Self-closing door with 120° Stay-open feature, on spring-loaded hinges
- Door lock (solid doors only)
- One-piece grille allow easy removal/installation for preventative maintenance
- Three (3) heavy duty epoxy coated wire shelves standard
- 6" Caster standard with (2) brakes

### OPTIONS & ACCESSORIES

- Stainless steel universal tray slide (AC)
- Additional Epoxy shelves
- Shelf clips
- 3" caster or 6" legs
- Remote option\* (see note on back page)

### REFRIGERATION SYSTEM

- Uses environmentally friendly, energy efficient R290 refrigerant, and meets all regulatory requirements for CARB, SNAP, DOE & more
- Hot gas condensate evaporator
- Adaptive defrost
- Epoxy coated evaporator coil
- Maintains product temperatures of 0° F and below

**FB27HC BOTTOM MOUNT MODELS: VISTA® SERIES**



Please verify qualifying units by visiting:  
[www.energystar.gov/cfs](http://www.energystar.gov/cfs)

3779 Champion Blvd., Winston-Salem, NC 27105  
1-888-845-9800 Fax: 1-336-245-6453  
Beverage-Air.com Sales@bevair.com



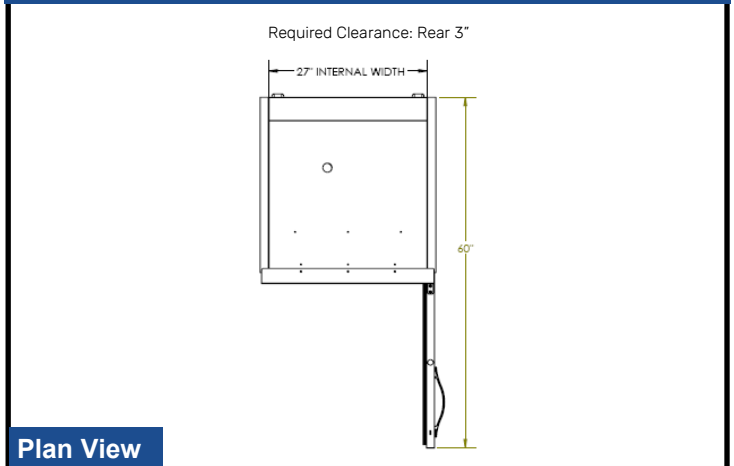
# BEVERAGE-AIR

| MODEL                            | FB27HC-1S         |
|----------------------------------|-------------------|
| <b>EXTERNAL DIMENSIONAL DATA</b> |                   |
| Width Overall                    | 30"               |
| Depth Overall with Handle        | 33 5/8"           |
| Height Overall with 6" casters   | 84 1/4"           |
| Number of Doors                  | 1                 |
| Depth with Door Open 90°         | 60"               |
| Drawer Opening (in)              | 26 7/8" x 52 5/8" |
| <b>INTERNAL DIMENSIONAL DATA</b> |                   |
| NET Capacity (cubic ft.)         | 26.57             |
| Internal Width Overall (in)      | 27"               |
| Internal Depth Overall (in)      | 26"               |
| Internal Height Overall (in)     | 61 5/8"           |
| Internal Height Useable (in)     | 52 7/8"           |
| Number of Shelves                | 3                 |
| <b>ELECTRICAL DATA</b>           |                   |
| Full Load Amperes 115/60/1       | 7.5               |
| <b>REFRIGERATION DATA</b>        |                   |
| Horsepower                       | 3/4               |
| Capacity (BTU/Hr)*               | 1927              |
| <b>SHIPPING DATA</b>             |                   |
| Gross Weight - Crated            | 438 lbs           |
| Height - Crated                  | 85"               |
| Width - Crated                   | 32"               |
| Depth - Crated                   | 36"               |

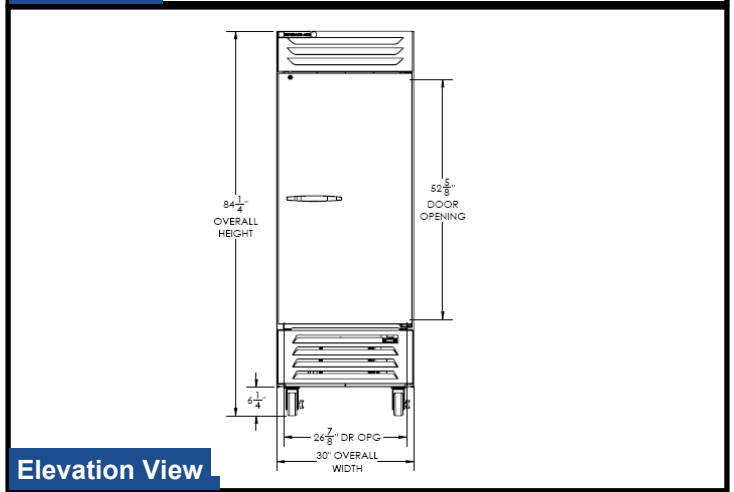
\*NOTE: Remote units are field wired and come with 6" legs. Refrigerant must be specified at time of order.

## Bottom Mount Reach-in Model: FB27HC-1S

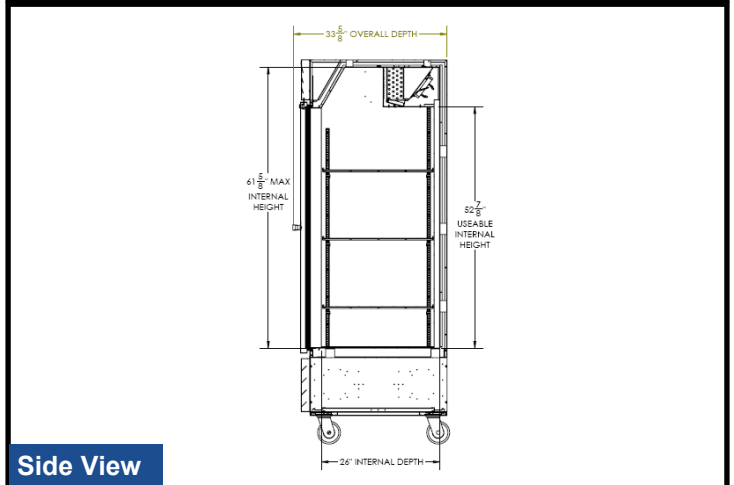
### Model Views



Plan View



Elevation View



Side View

### ELECTRICAL CONNECTION



115/60/1  
NEMA-5-15P

Units pre-wired at factory and include 8' long cord and plug set.



3779 Champion Blvd., Winston-Salem, NC 27105 1-888-845-9800 Fax: 1-336-245-6453 Beverage-Air.com Sales@bevair.com

an Ali Group Company



The Spirit of Excellence