



STAINLESS STEEL
**FABRICATED ECONOMY
 CORNER SINK** **NSF**



FC-K6-18D

MATERIAL:

1 5/8" diameter stainless steel legs with
 1" adjustable stainless steel bullet feet.
 Entire unit is 16 gauge 304 stainless steel.
 Gussets - stainless steel.

MECHANICAL:

- Supply is 1/2" IPS hot & cold.
- 2 Sets of Faucet holes on 8" centers.
- Faucets are not included (**see accessories**).
- Waste drains are 1 1/2" IPS S/S basket type, located in center of sink bowl, and are included

FEATURES:

Backsplash has tile edge for ease of installation.
 Sink bowls are 3/4" coved corner and meet NSF requirements.
 Rolled Rim Edge for additional strength.
 3 Sink Bowls Measuring 18" x 18" x 14"
 2 Drainboards Measuring 18" x 18"

CONSTRUCTION:

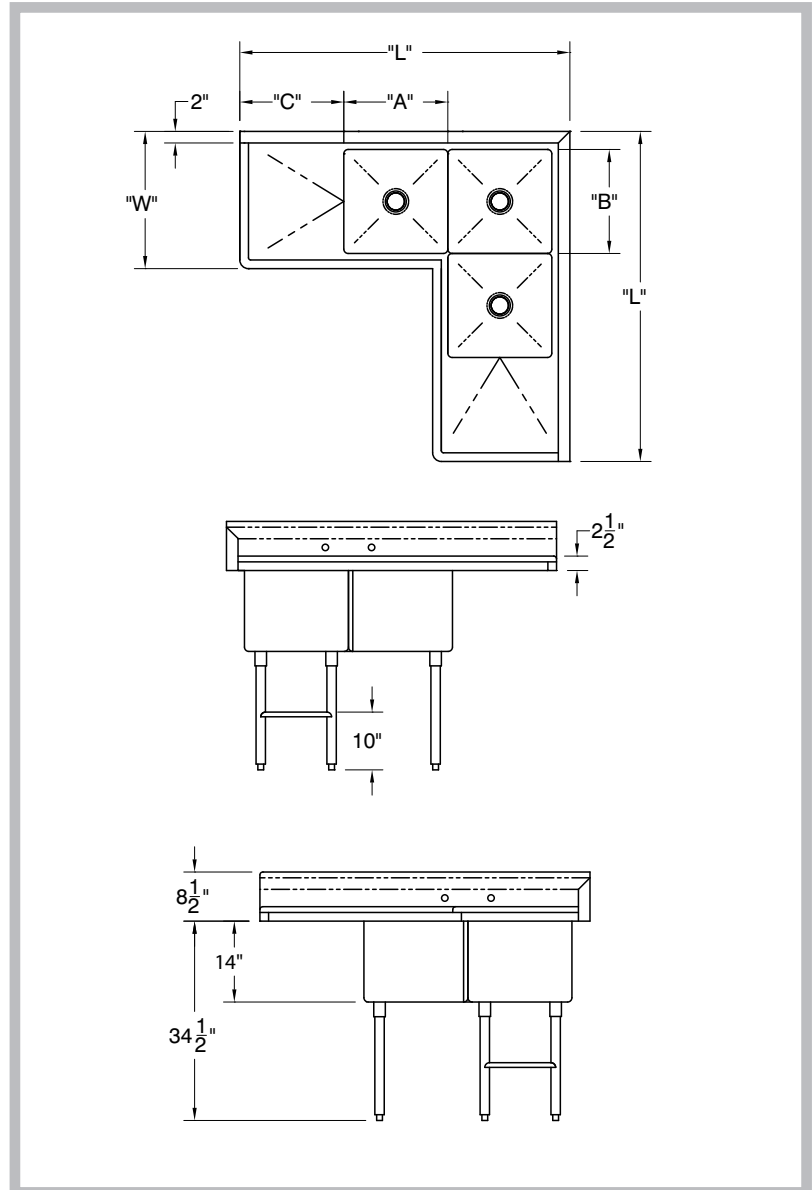
All TIG welded.
 Welded areas blended to match adjacent surfaces and to a satin finish.
 Gussets welded to a die-formed reinforced plate.

Item #: _____ *Qty #:* _____
Model #: _____
Project #: _____

**DIMENSIONS and
 SPECIFICATIONS**

TOL ± .500"

ALL DIMENSIONS ARE TYPICAL



MODEL #	"A"	"B"	"C"	"L"	"W"
FC-K6-18D	18"	18"	18"	57"	24"

www.advancetabco.com

Customer Service Available To Assist You 1-800-645-3166 8:30 am - 8:00 pm E.S.T.
 Email Orders To: customer@advancetabco.com. For Smart Fabrication™ Quotes, Email To: smartfab@advancetabco.com or Fax To: 631-586-2933

NEW YORK
 Fax: (631) 242-6900

GEORGIA
 Fax: (770) 775-5625

TEXAS
 Fax: (972) 932-4795

NEVADA
 Fax: (775) 972-1578