

Item No.:	_____	Qty.:	_____
Model No.:	_____		
Project No.:	_____		



Standard Series Mop Sink

Standard Series Mop Sink

- FLR-1X**
- FLR-2X**
- FLR-3X**
- FLR-4X**

Features

- 16 Gauge, 300 series stainless steel
- Stainless steel skirt
- Welded construction for consistent metal gauge thickness throughout
- 3-1/2" (88.9 mm) drain with flat strainer included

Options

- Back / Side Splashes
- Faucet Options

Materials

- Top: Tub is 16 gauge, 300 series stainless steel
- Skirt: 18 gauge stainless steel

Flyer Product



AUTOQUOTES



In keeping with our policy of continuing product improvement, Elkay SSP reserves the right to change product specifications without notice.

This specification describes an Elkay SSP product with design, quality and functional benefits to the user. When making a comparison of other producers' offerings, be certain these features are not overlooked.

Elkay SSP
421 N. Freya St.
Spokane, WA 99205
Phone: 800-726-0553 Fax: 509-535-1493

Website: www.sspinc.net
Email: sspsales@elkay.com
©2011 Elkay

SNK-FLRX02NOV2011

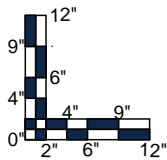
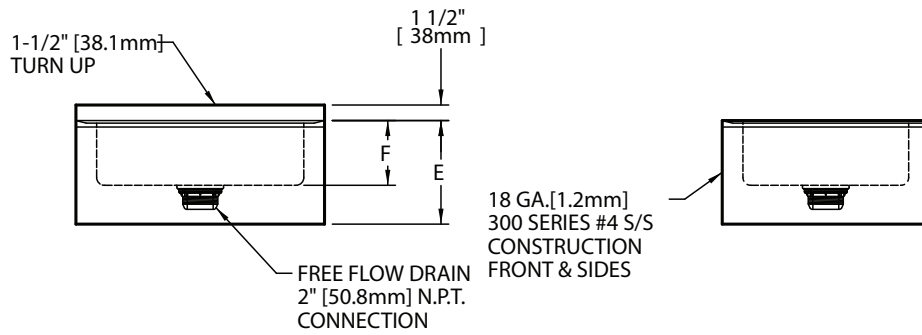
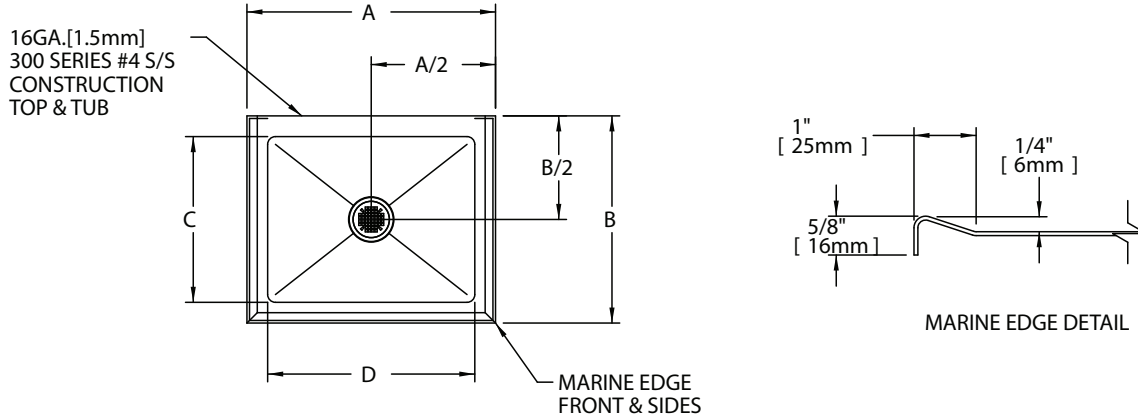
Page 1 of 2



Item No.: _____ Qty.: _____
 Model No.: _____
 Project No.: _____

Standard Series Mop Sink

Standard Series Mop Sink



Floor Mop Sinks																
	Bowl Dimensions						Overall Size						Drain Location		Weight	
	Width		Front-to-Back		Depth		Width		Front-to-Back		Height		DL			
	D	C	F	A	B	E	in.	mm	in.	mm	in.	mm	in.	mm	lbs.	kg
FLR - 1 X	16	20	6	20	24	7.5	12.0	406	508	610	191	305	61	28		
FLR - 2 X	20	28	6	24	32	7.5	16.0	508	711	813	191	406	76	35		
FLR - 3 X	16	20	12	20	24	13.5	12.0	406	508	610	343	305	72	33		
FLR - 4 X	20	28	12	24	32	13.5	16.0	508	711	813	343	406	90	41		

