

Standard Features – 60" Cheese Melter Natural Gas

Model #ACM-60



- Stainless steel front and sides
- Counter or wall mount
- (2) Natural gas ceramic infrared burner for better and even heat distribution
- Total 50,000 BTUs
- Standing pilot ignition system
- 3 position rack adjustments
- Chrome plated wiring grid rack
- Removable oil collector for easy cleaning
- 3/4 " NPT rear gas connection

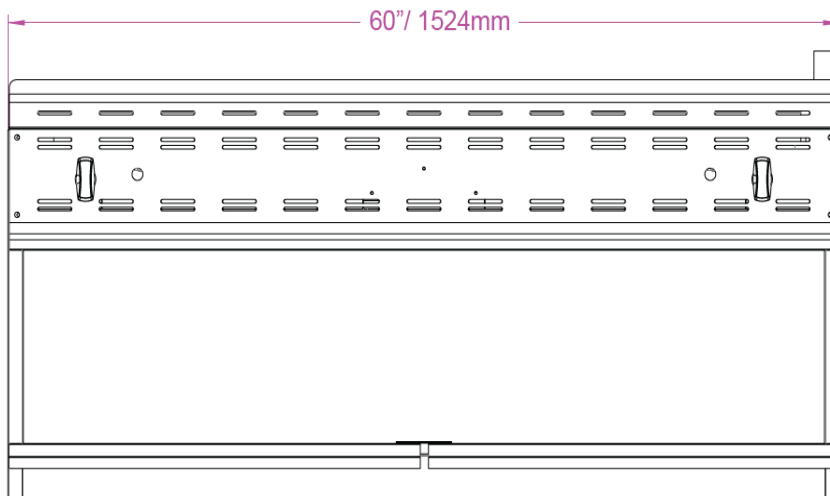
ETL Safety & Sanitation Listed



Model #	Total BTU	Burners	Net Dimensions	Gross Dimensions	Net Weight	Shipping Weight
ACM-60	50,000	2	60"W X 19"W X 23"	66"W X 25"W X 30"H	195 lbs	290 lbs.

PLAN VIEW

Front View



Side View

