



www.falconequipment.com
 879 South 4400 West
 Salt Lake City, UT 84104
 Phone: 888.987.7894

1 COMPARTMENT HEAVY DUTY SINKS

FEATURES & CONSTRUCTION:

- Top is fabricated with 1-1/2" rounded edge on working sides and 10-1/2" high backsplash
- All exposed welded areas smooth polished to brush finish sanitary #4.
- Welded stainless steel leg socket for removable legs.

MATERIAL:

Top & Bowls: 16 Ga. stainless steel - 304
 Leg set: 1 5/8" galvanized steel tubing, Stainless steel leg socket, 1" adjustable plastic bullet feet.



| MODEL # | UNIT SIZE | | | BOWL SIZE | | | DRAIN BOARD | | Shipping Weight |
|--------------|-----------|-----|-----|-----------|-----|-----|-------------|-------|-----------------|
| | L | D | H | A | B | C | LEFT | RIGHT | |
| HD1C-18X18-0 | 22" | 26" | 45" | 18" | 18" | 11" | 0 | 0 | 41 lbs. |

NSF Certified



45° Slanted Backsplash
 Reinforced With
Hemmed Edge

| MODEL # | UNIT SIZE | | | BOWL SIZE | | | DRAIN BOARD | | SHIPPING WEIGHT |
|-----------------|-----------|-----|-----|-----------|-----|-----|-------------|-------|-----------------|
| | L | D | H | A | B | C | LEFT | RIGHT | |
| HD1C-18X18-L-18 | 22" | 26" | 45" | 18" | 18" | 11" | 18 | 0 | 50 lbs. |
| HD1C-18X18-R-18 | 22" | 26" | 45" | 18" | 18" | 11" | 0 | 18 | 50 lbs. |

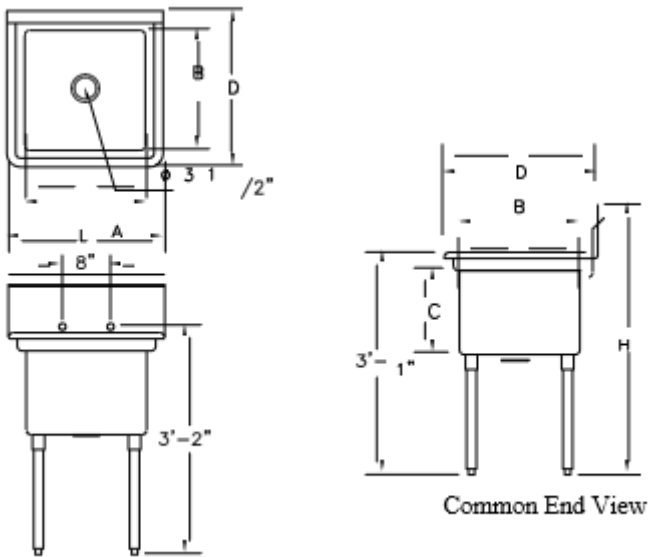
Rolled Rim Edge
 Front and Two Sides



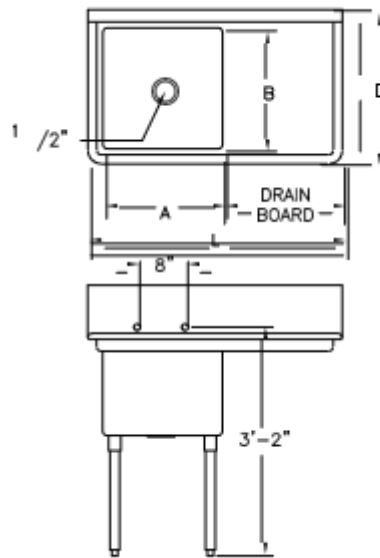
| MODEL # | UNIT SIZE | | | BOWL SIZE | | | DRAIN BOARD | | SHIPPING WEIGHT |
|-----------------|-----------|-----|-----|-----------|-----|-----|-------------|-------|-----------------|
| | L | D | H | A | B | C | LEFT | RIGHT | |
| HD1C-18X18-2-18 | 22" | 26" | 45" | 18" | 18" | 11" | 18 | 18 | 58 lbs. |

1 COMPARTMENT SINKS

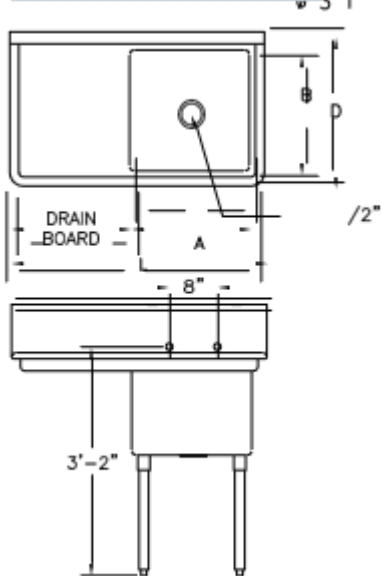
NO DRAIN BOARD



DRAIN BOARD: RIGHT



DRAIN BOARD: LEFT



DRAIN BOARD: L & R

