



www.falconequipment.com
 879 South 4400 West
 Salt Lake City, UT 84104
 Phone: 888.987.7894

1 COMPARTMENT SINKS


FEATURES & CONSTRUCTION:

MATERIAL:


- Top is fabricated with 1-1/2" rounded edge on working sides and 10-1/2" high backsplash
- All exposed welded areas smooth polished to brush finish sanitary #4.
- Welded stainless steel leg socket for removable legs.

Top & Bowls: 18 Ga. stainless steel - 304


Leg set: 1 5/8" galvanized steel tubing, Stainless steel leg socket, 1" adjustable plastic bullet feet.

	MODEL#	UNIT SIZE			BOWL SIZE			DRAINBOARD	
		L	D	H	A	B	C	LEFT	RIGHT
	EIC-16X20-0	22"	26"	45"	16"	20"	11"	Ø	Ø
EIC-18X18-0	23"	23.5"	18"		18"				
EIC-24X24-0E	29"	29.5"	24"		24"				


NSF Certified

	MODEL#	UNIT SIZE			BOWL SIZE			DRAINBOARD	
		L	D	H	A	B	C	LEFT	RIGHT
	EC1-10X14-L-15	28"	20"	45"	10"	14"	11"	15"	Ø
EIC-16X20-L-18	37"	26"	16"		20"				
EIC-18X18-L-18	38.5"	23.5"	18"		18"				
EIC-24X24-L-24	50.5"	29.5"	24"		24"				

45° Slanted Backsplash Reinforced With Hemmed Edge

	MODEL#	UNIT SIZE			BOWL SIZE			DRAINBOARD	
		L	D	H	A	B	C	LEFT	RIGHT
	EIC-10X14-R-15	28"	20"	45"	10"	14"	11"	Ø	15"
EIC-16X20-R-18	37"	26"	16"		20"	18"			
EIC-18X18-R-18	38.5"	23.5"	18"		18"	18"			
EIC-24X24-R-24	50.5"	29.5"	24"		24"	14"			24"

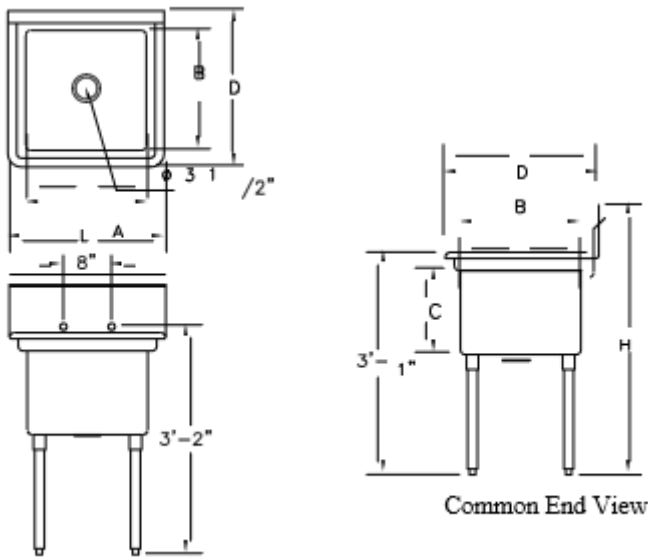
Rolled Rim Edge Front And Two Sides

	MODEL#	UNIT SIZE			BOWL SIZE			DRAINBOARD	
		L	D	H	A	B	C	LEFT	RIGHT
	EIC-10X14-2-15	40"	20"	45"	10"	14"	11"	15"	15"
EIC-16X20-2-18	52"	26"	16"		20"	18"			
EIC-18X18-2-18	54"	23.5"	18"		18"	18"			
EIC-24X24-2-24	72"	29.5"	24"		24"	24"			24"

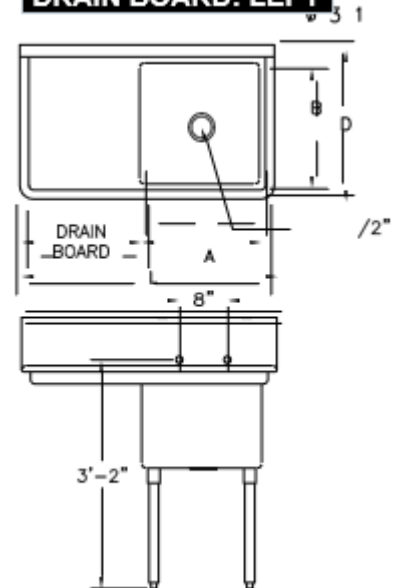
Plastic Bullet Feet 1" Adjustable

1 COMPARTMENT SINKS

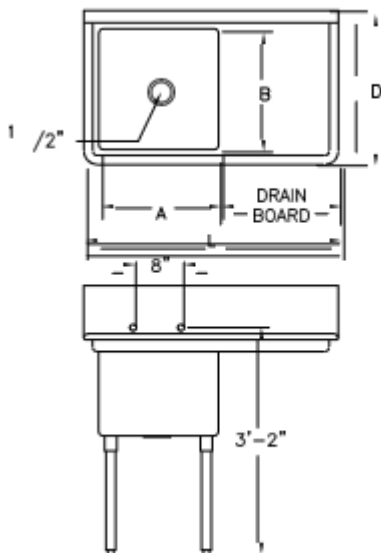
NO DRAIN BOARD



DRAIN BOARD: LEFT



DRAIN BOARD: RIGHT



DRAIN BOARD: L & R

