



[www.falconequipment.com](http://www.falconequipment.com)  
 879 South 4400 West  
 Salt Lake City, UT 84104  
 Phone: 888.987.7894


## 2 COMPARTMENT SINKS

### FEATURES & CONSTRUCTION:


### MATERIAL:

- Top is fabricated with 1-1/2" rounded edge on working sides and 10-1/2" high backsplash
- All exposed welded areas smooth polished to brush finish sanitary #4.
- Welded stainless steel leg socket for removable legs.


Top & Bowls: 18 Ga. stainless steel - 304  
 Leg set: 1 5/8" galvanized steel tubing, Stainless steel leg socket, 1" adjustable plastic bullet feet.

	MODEL#	UNIT SIZE			BOWL SIZE			DRAINBOARD	
		L	D	H	A	B	C	LEFT	RIGHT
	E2C-10X14-0	25"	19.5"	45"	10"	14"	11"	Ø	Ø
	E2C-16X20-0	38"	26"		16"	20"			
	E2C-18X18-0	41"	23.5"		18"	18"			
	E2C-24X24-0	53"	29.5"		24"	24"	14"		


NSF Certified

	MODEL#	UNIT SIZE			BOWL SIZE			DRAINBOARD	
		L	D	H	A	B	C	LEFT	RIGHT
	E2C-10X14-L-15	38"	20"	45"	10"	14"	14"	15"	Ø
	E2C-16X20-L-18	52"	26"		16"	20"		18"	
	E2C-18X18-L-18	56.6"	23.5"		18"	18"		18"	
	E2C-24X24-L-24	74.5"	29.5"		24"	24"		24"	

45° Slanted Backsplash  
 Reinforced With Hemmed Edge

	MODEL#	UNIT SIZE			BOWL SIZE			DRAINBOARD	
		L	D	H	A	B	C	LEFT	RIGHT
	E2C-10X14-R-15	38"	20"	45"	10"	14"	14"	Ø	15"
	E2C-16X20-R-18	52"	26"		16"	20"			18"
	E2C-18X18-R-18	56.6"	23.5"		18"	18"			18"
	E2C-24X24-R-24	74.5"	29.5"		24"	24"			24"

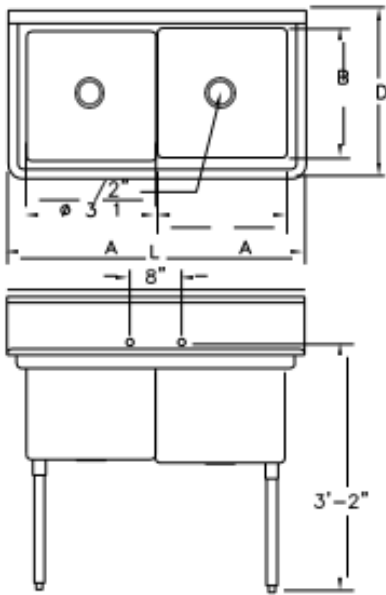
Rolled Rim Edge Front And Two Sides

	MODEL#	UNIT SIZE			BOWL SIZE			DRAINBOARD		
		L	D	H	A	B	C	LEFT	RIGHT	
	E2C-10X14-2-15	50"	20"	45"	10"	14"	11"	15"	15"	
	E2C-16X20-2-18	67.5"	26"		16"	20"		18"	18"	
	E2C-18X18-2-18	72"	23.5"		18"	18"		14"	18"	18"
	E2C-24X24-2-24	96"	29.5"		24"	24"		24"	24"	24"

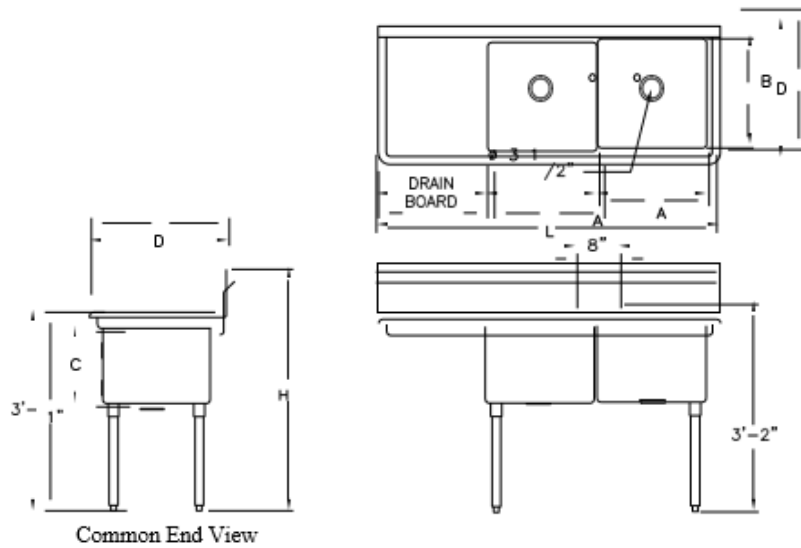
Plastic Bullet Feet  
 1" Adjustable

## 2 COMPARTMENT SINKS

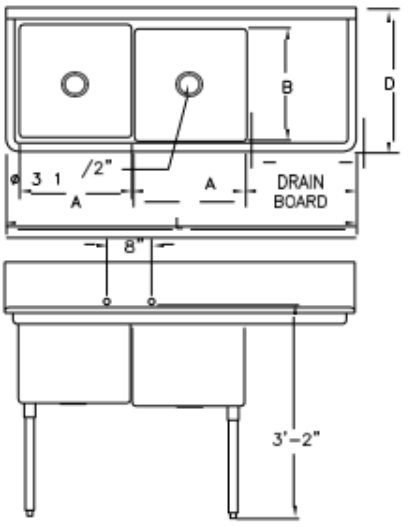
### NO DRAIN BOARD



### DRAIN BOARD: LEFT



### DRAIN BOARD: RIGHT



### DRAIN BOARD: L & R

