



Model #AGF-25

Cooling

Temperature Range	-5°F-2°F
Refrigerant	R290
Max. Ambient Temperature	90°F
Defrosting	Automatic
Temperature Controller	Digital
Horsepower	1/5

Electrical

Voltage	115
Amps	2.04
Hz	60
Phase	1
Plug Type	NEMA-5-15P
Electrical Cord Length	90"

Standard Features – Glass Froster 25"

- Environmentally safe R290 refrigerant
- Durable stainless steel top
- Coated aluminum interior
- Corrosion resistant vinyl on steel black finish
- Foamed-in-place polyurethane insulation
- Sliding stainless steel door for easy access
- Easy to use digital controls
- Accommodates up to 90 mugs
- Removable installation board for easy access to condenser for cleaning
- Auto defrost
- 115V; 1/5 HP
- ETL listed. Conforms to UL STD. 471, Certified to CSA STD. C22. 2No.120
- Conforms to NSF/ANSI STD. 7

Construction

Exterior Material	Vinyl on steel black
Interior Material	Coated aluminum
Insulation Material	Foamed-In-Place Polyurethane

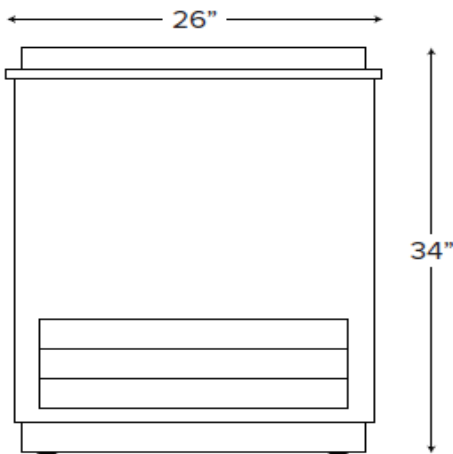
Dimensions

Exterior Dimensions	26"W x 28"D x 34"H
Interior Dimensions	22"W x 23D x 26"H
Shipping Dimensions	32"W x 33"D x 42"H
Net Volume	4.1 cu. ft.
Net Weight	125 lb.
Gross Weight	158 lb.

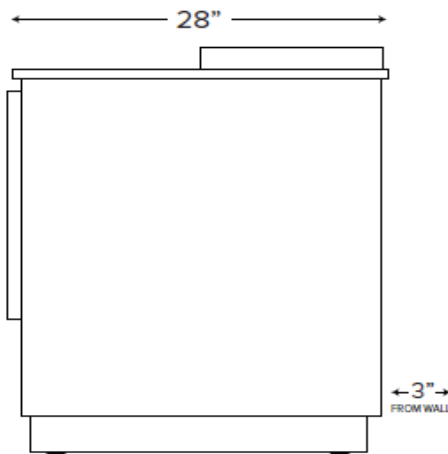


PLAN VIEW

Front View



Side View



Top View

