



[www.falconequipment.com](http://www.falconequipment.com)  
 879 South 4400 West  
 Salt Lake City, UT 84104  
 Phone: 888.987.7894

## 3 COMPARTMENT HEAVY DUTY SINKS

### FEATURES & CONSTRUCTION:

- Top is fabricated with 1-1/2" rounded edge on working sides and 10-1/2" high backsplash
- All exposed welded areas smooth polished to brush finish sanitary #4.
- Welded stainless steel leg socket for removable legs.

### MATERIAL:

Top & Bowls: 16 Ga. stainless steel - 304  
 Leg set: 1 5/8" galvanized steel tubing, Stainless steel leg socket, 1" adjustable plastic bullet feet.



MODEL #	UNIT SIZE			BOWL SIZE			DRAIN BOARD		SHIPPING WEIGHT
	L	D	H	A	B	C	LEFT	RIGHT	
HD3C-18X18-0	59"	23.5"	45"	18"	18"	14"	0	0	115 lbs.

NSF Certified



45° Slanted Backsplash  
 Reinforced With  
Hemmed Edge

MODEL #	UNIT SIZE			BOWL SIZE			DRAIN BOARD		SHIPPING WEIGHT
	L	D	H	A	B	C	LEFT	RIGHT	
HD3C-18X18-L-18	74.5"	23.5"	45"	18"	18"	14"	18	0	118 lbs.
HD3C-18X18-R-18	74.5"	23.5"	45"	18"	18"	14"	0	18	118 lbs.

Rolled Rim Edge  
 Front and Two Sides

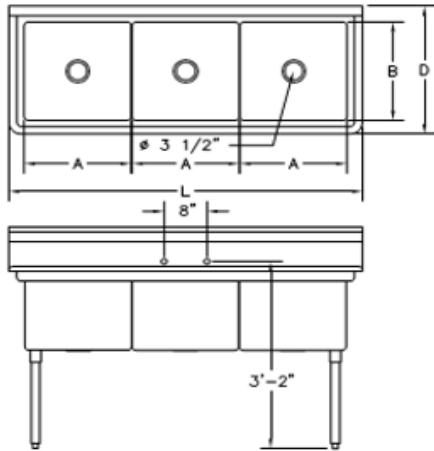


MODEL #	UNIT SIZE			BOWL SIZE			DRAIN BOARD		SHIPPING WEIGHT
	L	D	H	A	B	C	LEFT	RIGHT	
HD31C-16X20-2-18	84"	26"	45"	16"	20"	14"	18"	18"	120 lbs.
HD31C-18X18-2-18	90"	23.5"	45"	18"	18"	14"	18"	18"	120 lbs.
HD3C-24X24-2-24	124"	29-13/16"	43-3/4"	24"	24"	14"	18"	18"	154 lbs.

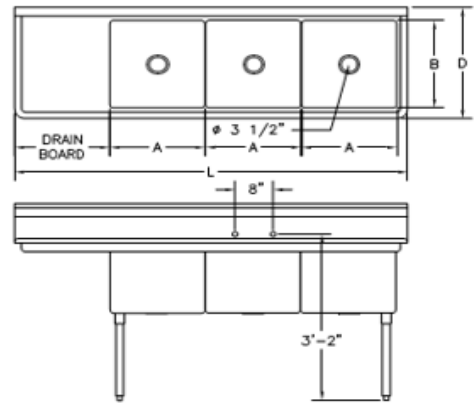


# 3 COMPARTMENT HEAVY DUTY SINKS

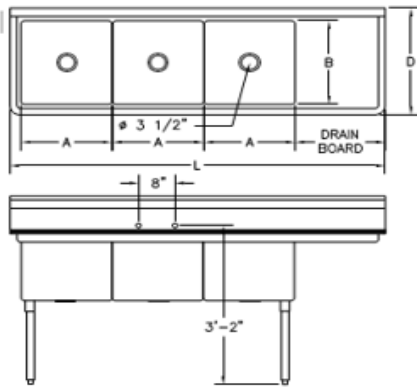
**NO DRAIN BOARD**



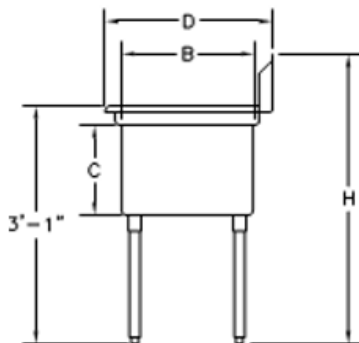
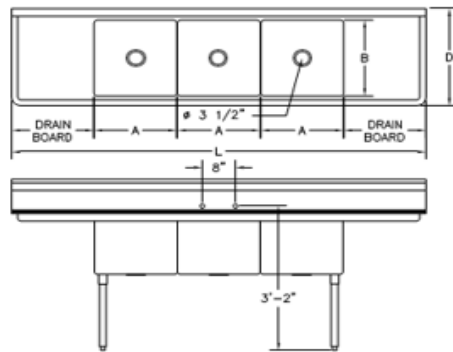
**DRAIN BOARD: LEFT**



**DRAIN BOARD: RIGHT**



**DRAIN BOARD: L & R**



Common End View

FALCON EQUIPMENT  
[www.falconequipment.com](http://www.falconequipment.com)  
 888.987.7894