



Filler Tables

All Stainless Steel Filler Tables



Use your smart phone to scan the above QR code to visit our website:
www.bk-resources.com

Certifications:



Features:

- 1^{5/8}" Legs
- 1^{1/2}" Riser
- Stainless Top, Legs & Shelf

Options:

- Casters
- Upgraded Bullet Feet
- Extra Shelves

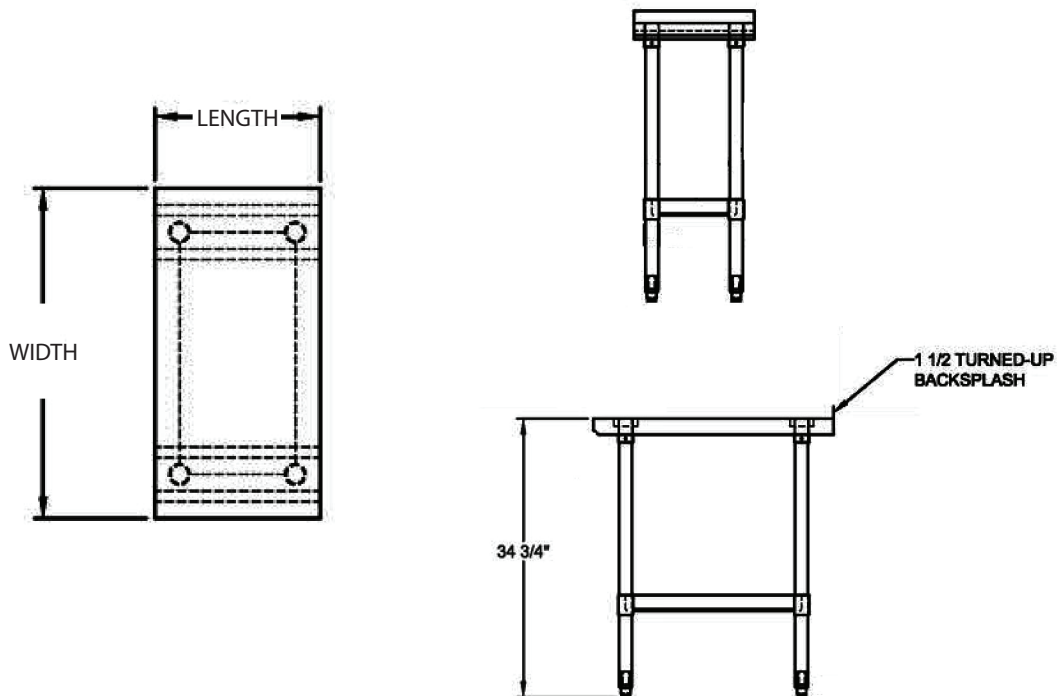
Material:

S/S w/ Stainless Steel Legs & Undershef

- T-430 18 ga. Stainless Steel Top
- Stainless Steel Legs & Adjustable Undershef
- Adjustable High Impact Corrosion Resistant Feet



Length	T-430 S/S 24" Width	T-430 S/S 30" Width
15"	SFTS-1524	SFTS-1530
18"	SFTS-1824	SFTS-1830
24"	-	SFTS-2430



PRODUCT DATA SHEET

BK RESOURCES

