

Project \_\_\_\_\_

Item Number \_\_\_\_\_

Quantity \_\_\_\_\_

Fixed Rack Oven



## Electric Fixed Rack Bakery Oven

- EFRBO  
Roll-In Fixed Rack Oven  
18x26" pan size

**Options:**

- Control board with 25 programs
- Fan speed control
- Back up control
- Additional racks
- Half load
- Puff pastry kit



Bakery Oven

**Dimensions:**

- A = Width 30.8"
- B = Depth 50"
- C = Height 84"



**Features:**

- Electromagnet door is simple to use, secure, and reliable.
- Oven temperature is fast rising due to the four fans that span from top to bottom.
- Having these four fans allows the oven to heat the product throughly without having to rotate the rack.
- Double glass door with air ventilation are easy to clean.
- Easy Mauntenance with electrical box and all components are accessible form the front of the oven.
- No tools are required to remove the hood and the door gasket can be replaced without having to use silcon glue.

Weight: 992 lbs

Motor: 220/60/3

Max Amp Draw: 80 amp

**Warranty:**

- Two year, on-site parts and labor

Univex Corporation

**Warranty Details**

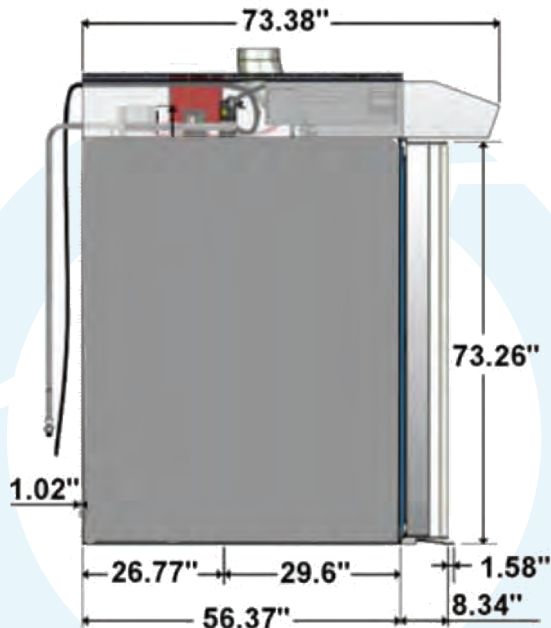
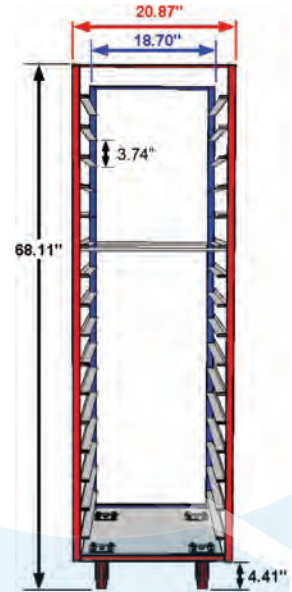
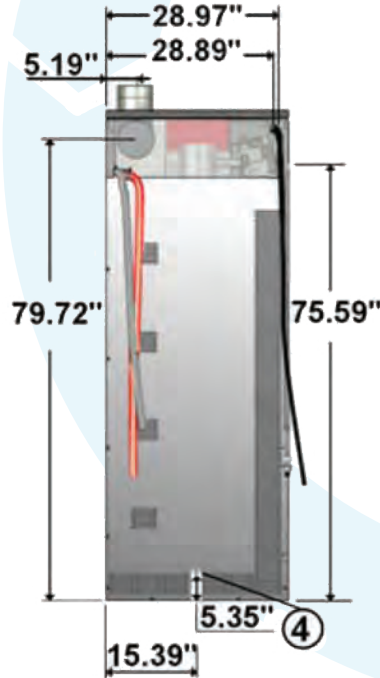
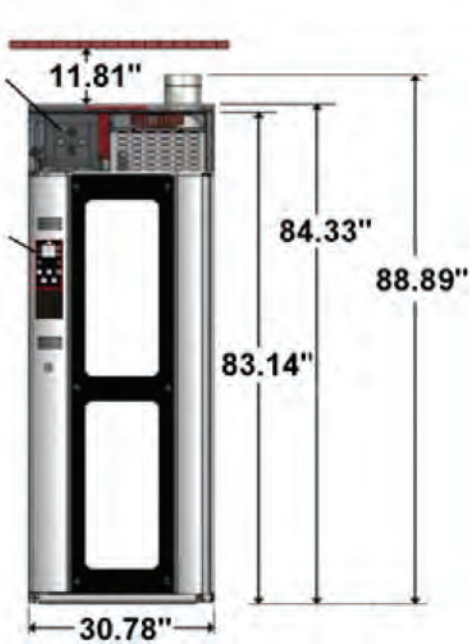
The EFRBO carries a two year, on-site parts and labor warranty against any flaws in materials and workmanship. This period begins on the date of the purchase and, provided the unit is used in accordance with our instructions, is in full effect for two year from that date. Any work performed under this warranty must be performed between the hours of 8am and 5pm Monday through Friday. Univex will not pay for overtime charges for work performed other then during normal business hours. Damage incurred in transit or from installation error, accident, alteration or misuse is not covered. Univex shall not be liable for any consequential compensatory, incidental, or special damages. Contact the Univex service department for any warranty claims. Ovens with steam may require water filtration depending upon water quality of oven location. If scaling or damage is caused by too hard or too soft unfiltered water warranty may be voided.



*We Raise the Bar. We Set the Standard.*

## Gas Fixed Rack Oven

**Gas**



### Dimensions:

Width 30.78"  
Depth 56.37"  
Height 84"

**Weight:** 1697 lbs

**Voltage:** 220/60/3

**Max Amp Draw:** 10 amp

**Pressure Inlet:** Natural Gas  
Propane



Univex Corporation  
[www.Univexcorp.com](http://www.Univexcorp.com)

3 Old Rockingham Rd  
Salem, NH 03079  
United States of America

TEL: 800.258.6358  
INTL TEL: 603.893.6191  
FAX: 800.356.5614  
INTL FAX: 603.893.1249