

Vertical Beer Frosters



Froster-280-US
 Height 79.00"
 Length 28.25"
 Depth 27.75"



Froster-B-18-US
 Height 79.00"
 Length 28.25"
 Depth 27.75"



Froster-B-30-HC
 Height 79.00"
 Length 43.50"
 Depth 27.75"

Features

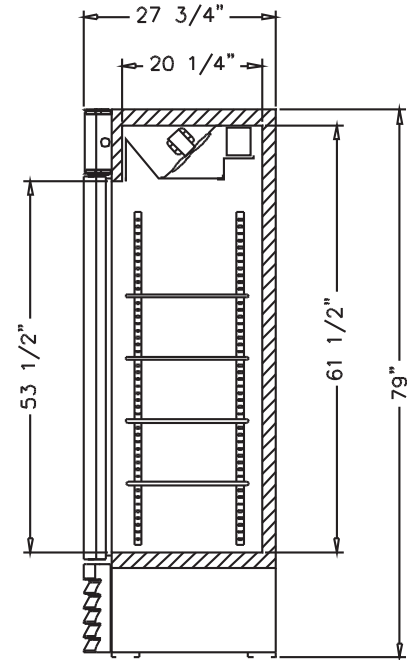
- Thermoformed illuminated header
- Electronic thermostat with digital thermometer to show consumer the temperature inside the cabinet
- Heavy duty hinges with self closing mechanism
- Recessed door handle
- Full color decals to attract consumers at the point of sale
- Modern high impact plastic front grill
- Curved foamed-in-place door made of galvanized steel (FROSTER 280)
- UL Classified to ANSI/NSF 7
- Self contained heavy duty 134a condensing unit
- Forced air evaporator for rapid temperature "Pull Down"

Model No.	Description	Voltage	Amps	Temp	HP	Est. Ship Weight
Froster-280-US	1 Door/4 Shelves	115	6.5	23°F - 34°F	1/3	235#
Froster-B-18-US	1 Dr Glass/4 Shelves	115	7.5	23°F - 34°F	1/3	235#
Froster-B-30-HC	2 Dr Glass/8 Shelves	115	10.4	23°F - 34°F	2 x 1/4	535

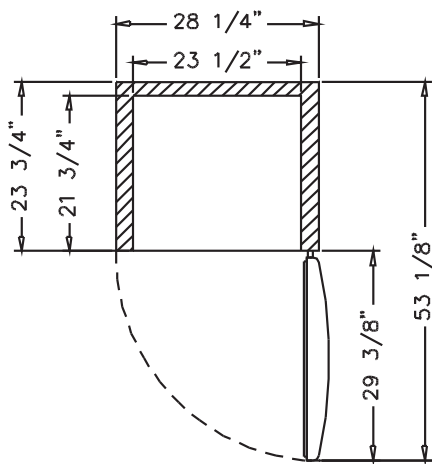
Technical Data / Vertical Beer Frosters



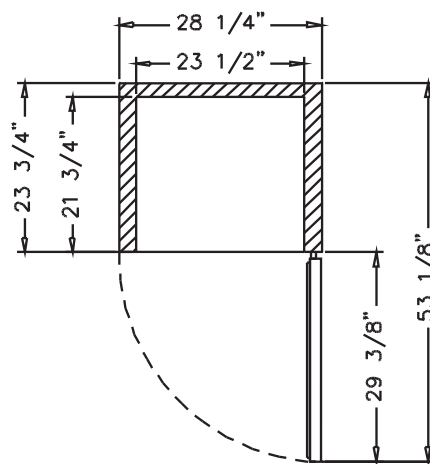
Model #	Froster-B-18-US	Froster-280G-US
Outside Dimensions		
Depth	27.75"	27.75"
Length	28.25"	28.25"
Height	79"	79"
Door Size	29.375" x 55.5"	29.375" x 55.5"
Door Type	1 solid swing	1 straight glass swing
Inside Dimensions		
Depth	21.75"	21.75"
Length	23.5"	23.5"
Height	61.5"	61.5"
Shelf Size	23" x 19.5"	23" x 19.5"
# of Shelves	4	4
# of 12oz. bottles	280	280
Capacity: Cubic Foot	18	18
Specifications		
Operating Temperature	23°F-34°F	23°F-34°F
Refrigerant	134a	134a
Compressor Size HP	1/3	1/3
Defrost	3 @ 30 min.	3 @ 30 min.
Voltage	115	115
Amperage	6.5	7.5
Cord and Plug	yes	yes
Shipping Dimensions		
Depth	32.00"	32.00"
Length	33"	33"
Height	88"	88"
Gross Weight lbs.	235	235
Cubic feet	54	54



- Cases are designed to operate at 75°F and 55% relative humidity.
- Specification subject to change without notice.



Froster-280-US



Froster-280G-US