



# AUTODONER<sup>®</sup>

## The Original Automatic Vertical Broiler



**Meat  
Capacity  
45 Lbs.**

*Next generation of  
our classic 3PG features.*

*2 burner controls improve  
temperature control and  
energy savings.*

*Easier to clean.*

*New pivot skewer holder  
(will not get lost).*

*Designed for the operator  
using med to large cones.*

**MODEL# G-300**

Large capacity and your choice  
of clean burning natural or LP gas.

**30,000 BTU'S**

**OPTIMAL**  
AUTOMATICS, CO.

*For more information or to order, call 847-439-9110*

[www.optimalautomatics.com](http://www.optimalautomatics.com)

email: [sales@optimalautomatics.com](mailto:sales@optimalautomatics.com)





# AUTODONER®

## The Original Automatic Vertical Broiler

**ENGINEERED FOR PERFORMANCE**

Made in the U.S.A. Since 1972

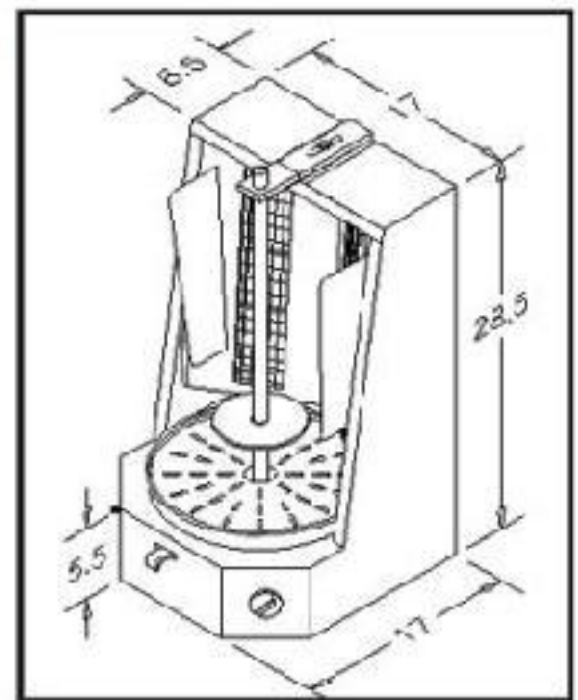


**Model #  
G-300  
Specifications**

**Meat  
Capacity  
45 Lbs.**

**GAS**  
1/2" NPT rear  
gas connection,  
specify Natural  
or L.P. gas

**PRESSURE**  
6.1" W.C.  
Natural gas  
9.6" W.C.  
L.P. gas



HEIGHT	WIDTH	DEPTH	ELECTRICAL	TOTAL B.T.U.	SHIP WEIGHT
32.5"	17"	17"	120V / 60Hz / 1AMP	30,000 BTU/Hr	75 lbs.

**OPTIMAL**  
AUTOMATICS, CO.

For more information or to order, call 847-439 9110 [www.optimalautomatics.com](http://www.optimalautomatics.com) / e-mail: [sales@optimalautomatics.com](mailto:sales@optimalautomatics.com)