



AUTODONER[®]

The Original Automatic Vertical Broiler



**Meat
Capacity
45 Lbs.**

*Next generation of
our classic 3PG features.*

*2 burner controls improve
temperature control and
energy savings.*

Easier to clean.

*New pivot skewer holder
(will not get lost).*

*Designed for the operator
using med to large cones.*

MODEL# G-300

Large capacity and your choice
of clean burning natural or LP gas.

30,000 BTU'S

OPTIMAL
AUTOMATICS, CO.

For more information or to order, call 847-439-9110

www.optimalautomatics.com

email: sales@optimalautomatics.com





AUTODONER®

The Original Automatic Vertical Broiler

ENGINEERED FOR PERFORMANCE

Made in the U.S.A. Since 1972

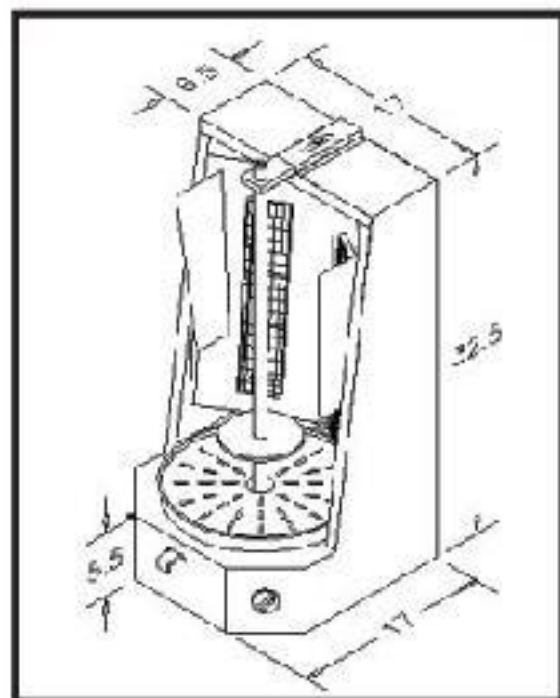


**Model #
G-400
Specifications**

**Meat
Capacity
65 Lbs.**

GAS
1/2" NPT rear
gas connection,
specify Natural
or L.P. gas

PRESSURE
6.1" W.C.
Natural gas
9.6" W.C.
L.P. gas



HEIGHT	WIDTH	DEPTH	ELECTRICAL	TOTAL B.T.U.	SHIP WEIGHT
32.5"	17"	17"	120V / 60Hz / 1AMP	40,000 BTU/Hr	75 lbs.

OPTIMAL
AUTOMATICS, CO.

For more information or to order, call 847-439 9110 www.optimalautomatics.com / e-mail: sales@optimalautomatics.com