



Cuisine Series Heavy Duty Open Burner Top Range

Item: _____
 Quantity: _____
 Project: _____
 Approval: _____
 Date: _____

Cuisine Series Heavy Duty Open Burner Top Range

Models:

- C836-6SU C0836-6SU C0836-6SUM

Range with 6 Step-Up Open Burners Top



Model C836-6SU

Note: Range-based convection oven models can be located in the middle of a battery, banked back-to-back with other equipment, and can be positioned against a wall

Standard Features:

- 30,000 BTU open burners with center pilot
- One-piece cast iron top grates
- Stainless steel front and sides
- Stainless steel front rail w/ position adjustable bar
- 1-1/4" NPT front gas manifold
- Can be installed individually or in a battery
- 6" (152mm) high stainless steel stub back
- 6" (152mm) chrome steel ad. legs
- Stainless steel oven interior w/ removable porcelain bottom
- 40,000 BTU oven burner
- Chrome plated rack with four positions, 1 per oven
- Fully insulated oven interior
- 100% safety oven pilot
- Oven thermostat control - 150°-500°F (66°- 60°C)

Optional Features:

- Stainless steel back
- Range base convection oven (add RC)
- Extra oven rack
- Porcelain oven interior in lieu of

stainless steel interior – NC

- Single or double deck high shelf or back riser
- Modular unit with legs and shelf (suffix M)
- Modular unit w/o legs on Refrig. Base (change suffix M to PC)
- Stainless steel intermediate shelf for cabinet base
- Stainless steel door(s) for cabinet base units
- Continuous plate shelf, 48-72" for battery installations
- Gas shut-off valves – 3/4", 1", 1 1/4" NPT (Specify)
- Gas regulator: 3/4"- 1 1/4" NPT (Specify)
- Gas flex hose w/ quick disconnect 3/4", 1", 1 1/4" (Specify)
- Stainless steel legs (set of four)
- Flanged feet (for fastening unit to the floor) Set of four
- Set of (4) polyurethane non-marking swivel casters w/front brakes
- Rear Gas Connection:, 3/4" NPT (max 250,000 BTU's) or 1-1/4" NPT
- Stainless steel burner box top interior

Specifications:

U.S. Range Cuisine 36" (914mm) wide Heavy Duty Range Series. Model _____ with total BTU/hr rating of _____ when used with natural/propane gas. Stainless steel front and sides. 6" (152mm) legs with adjustable feet.

Ovens - One piece oven door. Stainless steel oven interior with a heavy- duty, "keep-cool" door handle. Standard oven comes with a thermostat with a temperature range from 150° (low) to 500°F (66°-260°C). One chrome plated oven rack for standard ovens and three for convection ovens.

Open Burners - 30,000 BTU/hr per burner with center pilot and a one piece, cast iron top grate over two open burners.



NOTE: Ranges supplied with casters must be installed with an approved restraining device.



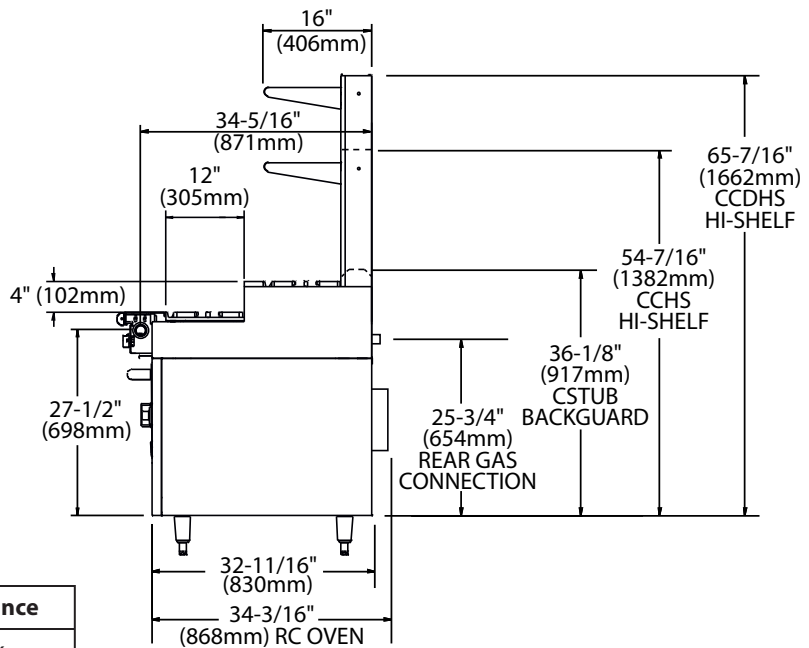
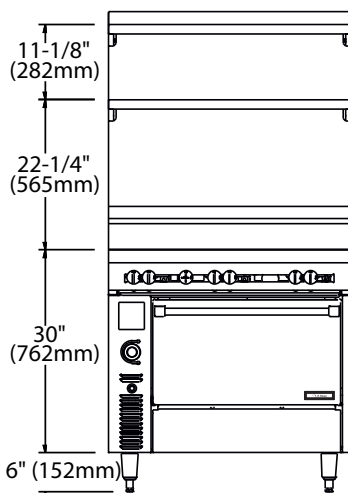
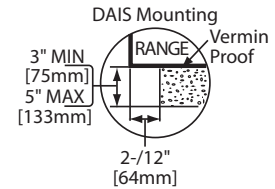
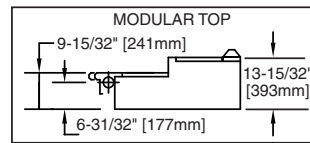
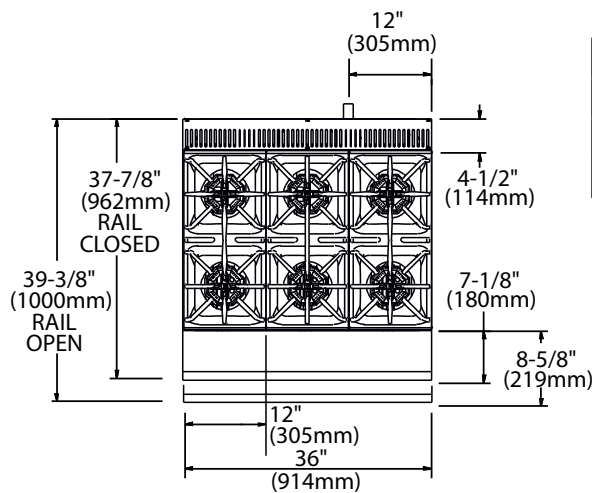
| Model # | Description | Total BTU (NAT. Gas) | Shipping | |
|------------|--------------------------------|----------------------|----------|---------|
| | | | Cu Ft | Lb/Kg |
| C836-6SU | 6-Open Burners / Standard Oven | 220,000 | 50 | 562/255 |
| C0836-6SU | 6-Open Burners / Cabinet Base | 180,000 | 50 | 361/164 |
| C0836-6SUM | 6-Open Burners / Modular | 180,000 | 20 | 320/145 |

* Add Suffix "RC" For Convection Oven Base 1/3 Hp motor 120V 60Hz 0.6 amps c/w Nema 5-15P cord & plug

| Gas Pressure | NAT. | PRO. |
|-------------------------|-------|--------|
| Min. Supply | 7" WC | 11" WC |
| Operating | 6" WC | 10" WC |
| Gas Manifold 1-1/4" NPT | | |

| Interior Dimensions: In (mm) | | | |
|------------------------------|--------------|--------------|----------|
| Product | Height | Width | Depth |
| Standard Oven | 13-1/2(323) | 26-1/4 (667) | 29 (737) |
| Convection | 13-1/2(323) | 26-1/4 (667) | 25 (635) |
| Cabinet Base | 20-1/2 (521) | 32-1/4 (819) | 31 (787) |

| Individual Burner Ratings (BTU/hr) | | | | | |
|------------------------------------|--------|--------|------------|--------|--------|
| Burner | NAT. | PRO. | Burner | NAT. | PRO. |
| Open Top | 30,000 | 28,000 | Std. Oven | 40,000 | 35,000 |
| | | | Conv. Oven | 37,000 | 35,000 |



| Combustible Wall Clearance | |
|----------------------------|------------|
| Sides | Back |
| 6" (152mm) | 6" (152mm) |

Form# C836-6SU (03/17/14)