



Master Series Even Heat Hot Top Range Attachment

Item: _____
 Quantity: _____
 Project: _____
 Approval: _____
 Date: _____

Master Series Even Heat Hot Top Range Attachment

Models:

- MST6S MST6S-E MST6T MST6T-E

17" Range Attachment With Even Heat Hot Top



MST6S
(valve control panel not as depicted)

Standard Features:

- Stainless steel front and sides
- Stainless steel door on storage base
- 6" (152mm) chrome steel adjustable legs
- 7-1/2" (191mm) stainless steel front rail
- Extra heavy cast iron top sections
- Stainless steel burner box bottom
- Storage base interior of aluminized steel
- 17" (432mm) wide even-heat hot top steel plate
- One 27,000 BTU (7.90 kW) "H" style cast iron burner
- Electric Spark ignition on all pilots Suffix -E models
- Sentry total flame failure protection for all burners

Optional Features:

- Stainless steel common front rail up to 102" (2591mm) wide (two or more units in a battery)
- Stainless steel main back
- Gas regulator 3/4" or 1-1/4"

- Gas shut off valve; 3/4", 1" or 1-1/4" NPT
- Gas flex hose & quick disconnect (3/4", 1" or 1-1/4" NPT x 5') w/ restraining device, please specify
- Rear gas connection, 3/4" or 1" NPT
- End caps and cover (NC, specify)
- Polyurethane non-marking swivel casters (4) w/front brakes
- 6" (152mm) stainless steel adjustable legs
- Modular stand, (T model)
- Dais base (W/O legs, S model)
- Storage base shelf of aluminized or stainless steel
- Stainless steel tubular high shelf, single or double deck
- Stainless steel backguard: 10" (354mm), 17" (432mm) or 33" (838mm) H
- 230 volt, 50 cycle components electric ignition (export)

Specification:

Heavy-duty gas range attachment with storage base, Model MST6S. One (1) even-heat hot top. 17" (432mm) wide x 38" (965mm) deep, including 7 1/2" (191mm) deep stainless steel front rail. Stainless steel front and sides. 27,000 BTU (7.90 kW) total. Natural or propane gas. Sentry total flame failure protection for all burners. Also available with modular top, suffix T.



NOTE: Attachments supplied with casters must be installed with an approved restraining device.



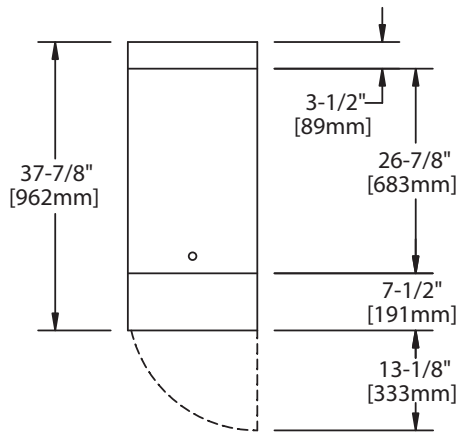
Product	Width: In(mm)	Depth: In(mm)	Height: In(mm) (w/ NSF Legs)	Height: In(mm) (w/o NSF Legs)	Storage Base Interior: in(mm)		
					Width	Depth	Height
MST6S	17(432)	38(965)	36-3/8(924)	30-3/8(772)	14(356)	32-1/2(826)	20-1/2(519)
MST6T	17(432)	38(965)	36-3/8(924) w/stand	9-1/2 (241) w/o stand*	N/A	N/A	N/A

*Modular top has 1-1/2" seating flanges.

INPUT-BTU/hr (Natural or Propane Gas)	MST6S	MST6T
Total Top Sections	27,000 (7.90kW)	27,000 (7.90kW)

S=Range w/Storage Base T=Modular Top

INSTALLATION NOTES			Shipping Wt: (Lb/Kg) – Cu Ft
Combustible Wall Clearances ¹	Entry Clearances	Operating Pressure	MST6S 240/109 – 26 MST6T 145/66 – 9
Sides: 14" (356mm) Back: 6" (152mm)	Crated: 22 1/4" (565mm) Uncrated: 17-1/4" (438mm)	Natural: 6" WC (15mbar) Propane: 10" WC (25mbar)	



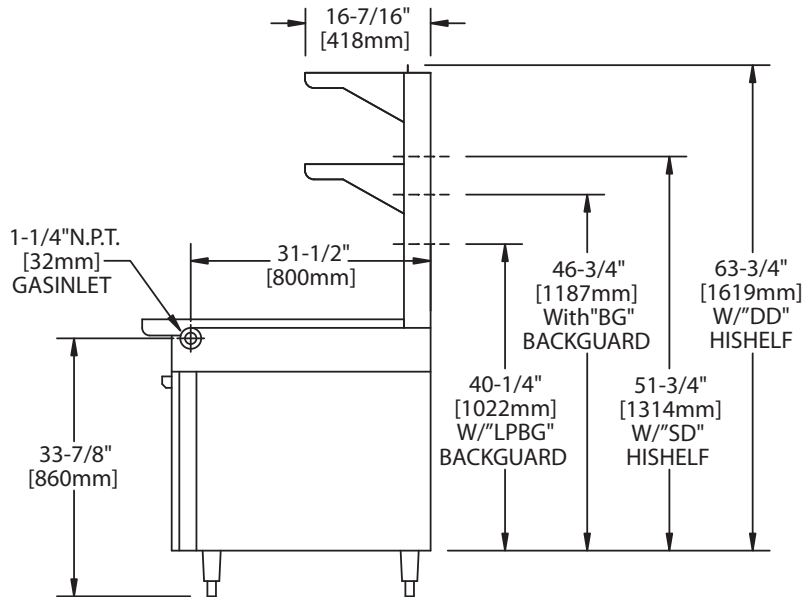
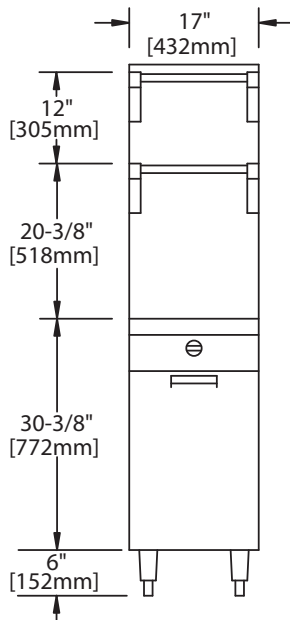
¹NOTE: Installation clearance reductions are applicable only where local codes permit.

Gas input ratings shown here are for installations up to 2,000 ft. (610m) above sea level. Specify altitudes over 2,000 ft.

Please specify gas type when ordering.

Electrical characteristics for models with Suffix - E: 120VAC single phase 60 Hz, 1 amp 6 ft. (1.8m) NEMA 5-15P cord and plug provided. 230VAC export direct connect single phase 50 Hz, 1 amp.

Garland/U.S. Range products are not approved or authorized for home or residential use, but are intended for commercial applications only. Garland / U.S. Range will not provide service, warranty, maintenance or support of any kind other than in commercial applications



Form# MST6 (05/27/13)