



Master Series Heavy Duty Double Oven

Item: _____
 Quantity: _____
 Project: _____
 Approval: _____
 Date: _____

Master Series Heavy Duty Double Oven

Models:

M2R



Model M2R

Standard Features:

- Stainless steel front, sides and top.
- 6" (152mm) chrome steel adjustable legs
- Piezo Spark ignition for oven
- Two ovens operated independently stacked.
- Each oven 40,000 BTU (11.72kW) natural gas, 35,000 BTU (10.25kW) propane gas cast iron oven burner
- Fully porcelainized oven interior

Optional Features:

- Gas regulator 3/4" or 1-1/4"
- Gas shut off valve; 3/4", 1" or 1-1/4" NPT
- Gas flex hose & quick disconnect (3/4", 1" or 1-1/4" NPT x 5') w/restraining device, please specify
- End caps and cover (NC, specify)
- Stainless steel main back
- Stainless steel oven interior
- Additional oven rack
- Rear gas connection, 3/4" or 1-1/4" NPT
- Polyurethane non-marking swivel casters w/front brakes
- 6" (152mm) stainless steel adjustable legs
- Dais base
- Celsius dial for oven thermostat (no charge)

Specification:

Heavy duty gas range match general purpose ovens. Model #M2R, two ovens operating independently stacked. Model can be manifold and battery with Master Series cooking units. 34" (864mm) wide x 38" (965mm) deep. Porcelain enamel oven interior measuring 26-1/4" (667mm) wide x 13-1/2" (343mm) high x 29" (737mm) deep. 40,000 BTU (11.72kW) cast iron oven burner. Stainless steel front and sides. 80,000 BTU (23.44kW) total double deck. Natural or propane gas.



NOTE: Ovens supplied with casters must be installed with an approved restraining device.



Product	Width: In(mm)	Depth: In(mm)	Height: In(mm) (w/ NSF Legs)	Height: In(mm) (w/o NSF Legs)	Oven Interior: in(mm)		
					Width	Depth	Height
M2R	34(864)	38(965)	60-3/8(1534)	54-3/8(1381)	26-1/4(667)	29(737)	13-1/2(343)

INPUT-BTU/hr	M2R	
	Natural	Propane
Oven Totals	80,000 (23.44kW)	70,000 (20.50kW)

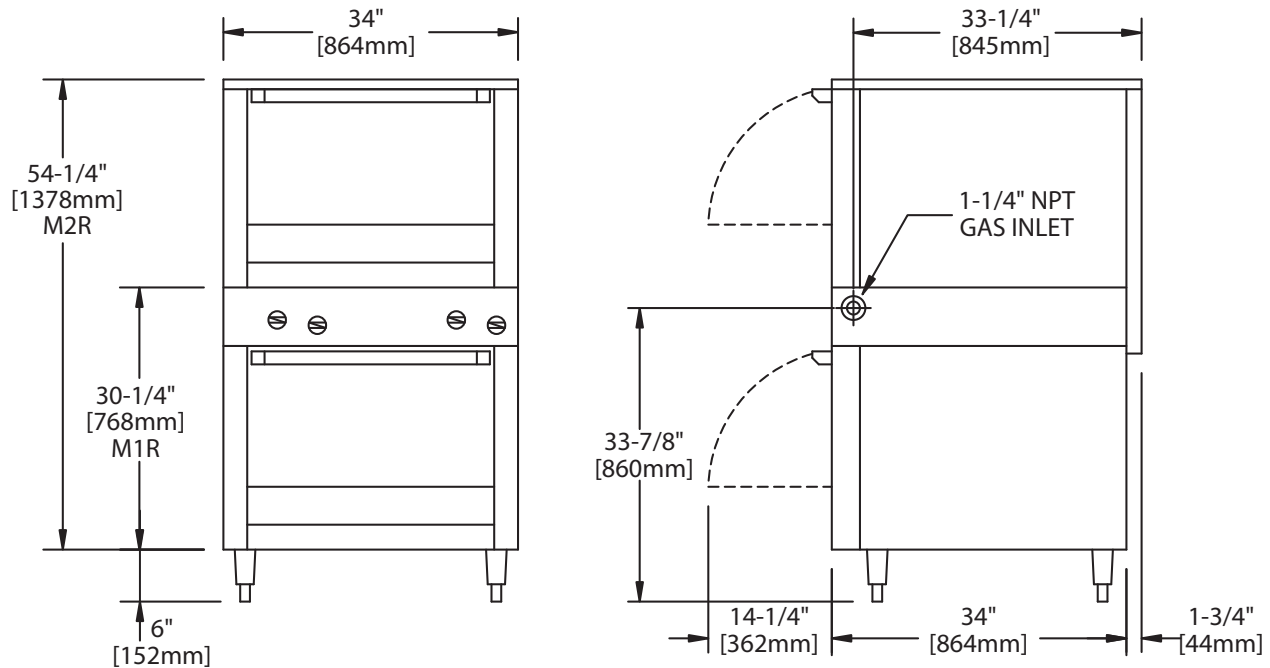
R=Range w/Oven

INSTALLATION NOTES			Shipping Wt: (Lb/Kg) – Cu Ft
Combustible Wall Clearances ¹	Entry Clearances	Operating Pressure	M2R 730/331– 100
Sides: 6" (152mm) Back: 6" (152mm)	Crated: 39-1/4"(997mm) Uncrated: 34-1/4" (870mm)	Natural: 6 WC (15mbar) Propane: 10 WC (25mbar)	

¹NOTE: Installation clearance reductions are applicable only where local codes permit.

Data applies only to North America
Gas input ratings shown here are for installations up to 2,000 ft. (610m) above sea level.
Specify altitudes over 2,000 ft.

Please specify gas type when ordering.



Form# M2R (11/11/13)