



Master Series Heavy Duty Even Heat Hot Top Range

Item: _____
 Quantity: _____
 Project: _____
 Approval: _____
 Date: _____

Master Series Heavy Duty Even Heat Hot Top Range

Models:

- M46R M46S M46T

Two Section Even Heat Hot Top Range



Model M46R

Standard Features:

- Stainless steel front and sides
- 6" (152mm) chrome steel adj. legs
- 7-1/2" (191mm) stainless steel front rail
- Two extra heavy even heat cast iron hot top sections with 3 "H" burners; 90,000 BTU (26.4 kW) total
- Separate Hi-Lo control valves for each "H" burner
- Heavy gauge aluminized steel radiation baffle system
- Stainless steel burner box bottom
- Storage base interior of aluminized steel
- Piezo spark ignition for oven
- 40,000 BTU (11.72 kW) natural gas, 35,000 BTU (10.25kW) propane gas cast iron oven burner

Optional Features:

- Stainless steel main back
- Stainless steel oven interior
- Stainless steel common front rail up to 102" (2591mm) wide (2 or more units in a battery)

- Convection oven base, add C to Model No., e.g. M46RC
- Additional oven rack
- Rear gas connection, 3/4" or 1" NPT
- Gas regulator 3/4" or 1-1/4"
- Gas shut off valve; 3/4", 1" or 1-1/4" NPT
- Gas flex hose & quick disconnect (3/4", 1" or 1-1/4" NPT x 5') w/ restraining device, please specify
- End caps and cover, (NC, specify)
- Set of (4) Polyurethane non-marking swivel casters w/front brakes
- 6" (152mm) stainless steel adj. legs
- Dais base (not for use with "RC" oven)
- Storage base shelf of aluminized or stainless steel
- Stainless steel tubular high shelf, single or double deck
- Stainless steel backguard: 10" (354mm), 17" (432mm) or 33" (838mm)
- 230 volt, 50 cycle components, RC motor (export)
- Celsius dial for oven thermostat (NC)

Specifications:

Heavy duty gas range with oven, Model M46R. Two (2) 17" (432mm) even heat hot tops, rated a total 90,000 BTU (26.37 kW) total. 34" (864mm) wide x 38" (965mm) deep, including 7-1/2" (191mm) deep stainless steel front rail. Porcelain enamel oven interior with 40,000 BTU (11.72 kW) cast iron oven burner. Stainless steel front and sides. 130,000 BTU (38.09 kW) total. Natural or propane gas. Also available with storage base w/ doors, suffix S, and modular top, suffix T.



NOTE: Ranges supplied with casters must be installed with an approved restraining device.



Product	Width: In(mm)	Depth: In(mm)	Height: In(mm) (w/ NSF Legs)	Height: In(mm) (w/o NSF Legs)	Oven/Storage Base Interior: in(mm)		
					Width	Depth	Height
M46R	34(864)	38(965)	36-3/8(924)	30-3/8(772)	26-1/4(667)	29(737)**	13-1/2(343)
M46S	34(864)	38(965)	36-3/8(924)	36-3/8(924)	26(665)	30-1/2(773)	20-1/2(519)
M46T	34(864)	38(965)	36-3/8(924) w/stand	9-1/2 (241) w/o stand*	N/A	N/A	N/A

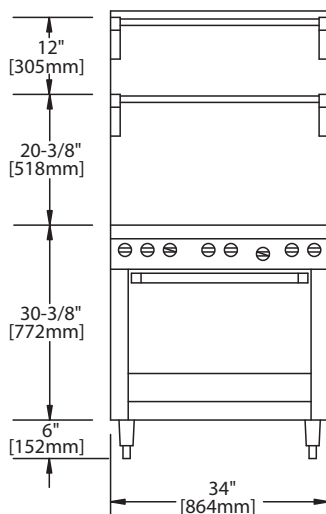
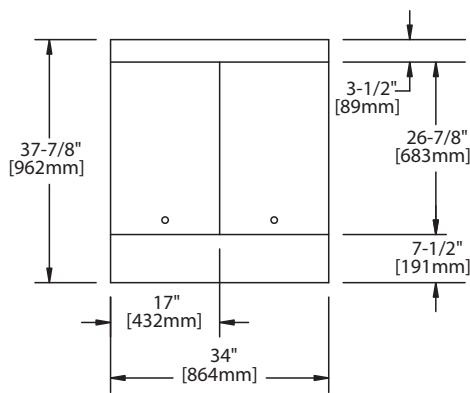
*Modular top has 1-1/2" seating flanges. **RC oven is 25" (635mm) deep.

INPUT-BTU/hr (Natural Gas)	M46R & M46RC	M46S & M46T
Top Section	90,000 (26.37kW)	90,000 (26.37kW)
Oven***	40,000 (11.72kW)	N/A
TOTAL	130,000(38.37kW)	90,000 (26.37kW)

RC=Range w/Convection Oven R=Range w/Oven S=Range w/Storage Base T=Modular Top

*** Oven rated 35,000 BTU (10.25kW) for Propane Gas

INSTALLATION NOTES			Shipping Wt: (Lb/Kg) ²
Combustible Wall Clearances ¹	Entry Clearances	Operating Pressure	
Sides: 11" (279mm) Back: 6" (152mm)	Crated: 39-1/4" (997mm) Uncrated: 34-1/4" (870mm)	Natural: 6" WC (15mbar) Propane: 10" WC (25mbar)	M46R 450/205 M46S 350/159 M46T 260/118



¹NOTE: Installation clearance reductions are applicable only where local codes permit.

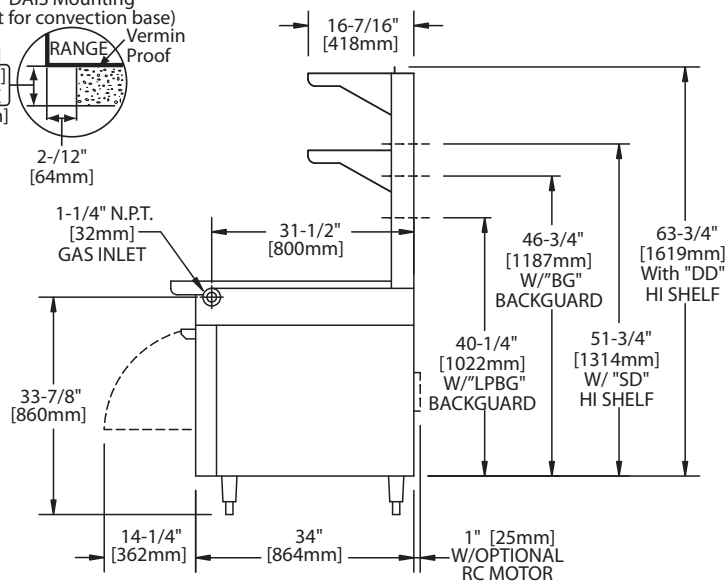
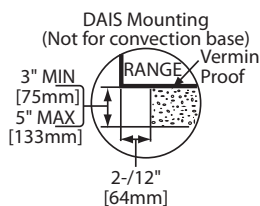
²Shipping Cubic Feet 50 for R & S Models, 20 for T models

Data applies only to North America

Gas input ratings shown here are for installations up to 2,000 ft. (610m) above sea level. Specify altitudes over 2,000 ft.

Electrical characteristics each RC oven: 1/3 HP motor, 120 VAC, single phase, 3.4 amps, 6 ft. (1.8m) power cord with NEMA 5-15P plug provided. 230 VAC export is direct connect, single phase, 50 Hz.

Please specify gas type when ordering.



Form# M46 (04/08/13)