



Master Series Heavy Duty Open Burner Top Range

Item: _____
 Quantity: _____
 Project: _____
 Approval: _____
 Date: _____

Master Series Heavy Duty Open Burner Top Range

Models:

- MST44R
 MST44S
 MST44T
 MST44R-E
 MST44S-E
 MST44T-E

Range with Four Open Burners



*Model MST44R
(valve control panel not as depicted)*

Standard Features:

- Stainless steel front and sides
- 6" (152mm) chrome steel adj. legs
- 7-1/2" (191mm) stainless steel front rail
- Four two-piece Starfire burners with removable heads, rated 30,000 BTU (8.78 kW) CE approved or 35,000 BTU (10.25 Kw) CSA approved models (natural or propane gas)
- Removable ring grate bowl over each burner
- Cast iron top grates
- One-piece Stainless Steel drip tray
- Piezo spark ignition for oven
- Fully porcelainized oven interior
- 40,000 BTU, (11.72 kW) natural or 35,000 BTU (10.25 kW) propane gas, cast iron oven burner
- Storage base interior of aluminized steel
- Electric Spark ignition on all pilots
Suffix -E models
- Sentry total flame failure protection for all burners

Optional Features:

- Stainless steel common front rail up to 102" (2591mm) wide (two or more units in a battery)
- Stainless steel main back

- Stainless steel oven interior
- Convection oven base, add C to Model No., e.g. MST44RC
- Additional oven rack
- Rear gas connection, 3/4" or 1" NPT
- Gas regulator 3/4" or 1-1/4"
- Gas shut off valve; 3/4", 1" or 1-1/4" NPT
- Gas flex hose & quick disconnect (3/4", 1" or 1-1/4" NPT x 5') w/ restraining device, please specify
- End caps and cover, NC specify
- 4 Polyurethane non-marking swivel casters w/front brakes
- 6" (152mm) stainless steel adj. legs
- Dais base (not for use with "RC" oven)
- Storage base shelf of aluminized or stainless steel
- Stainless steel tubular high shelf, single or double deck
- Stainless steel backguard: 10" (354mm), 17" (432mm) or 33" (838mm)
- 230 volt, 50 cycle components, RC motor and/or electric ignition (export)
- Celsius dial for oven thermostat (NC)

Specifications:

Heavy-duty gas range with oven, Model MST44R. Four 30,000 BTU, (8.78 Kw), two-piece Starfire burners. Sentry total flame failure protection for all burners. Heavy-duty cast iron top grates and ring grates. 34" (864mm) wide x 38" (965mm) deep, including 7-1/2" (191mm) deep stainless steel front rail. Porcelain enamel oven interior with 40,000 BTU (11.72 kW) cast iron oven burner. Stainless steel front and sides. 160,000 BTU total. (46.84 kW). Natural or propane gas available. Also available with storage base w/doors, suffix S, and modular top, suffix T.



NOTE: Ranges supplied with casters must be installed with an approved restraining device.



Product	Width: In(mm)	Depth: In(mm)	Height: In(mm) (w/ NSF Legs)	Height: In(mm) (w/o NSF Legs)	Oven/Storage Base Interior: in(mm)		
					Width	Depth	Height
MST44R	34(864)	38(965)	36-3/8(924)	30-3/8(772)	26-1/4(667)	29(737)**	13-1/2(343)
MST44S	34(864)	38(965)	36-3/8(924)	30-3/8(772)	26(665)	30-1/2(773)	20- 1/2(519)
MST44T	34(864)	38(965)	36- 3/8(924) w/stand	9-1/2 (241) w/o stand*	N/A	N/A	N/A

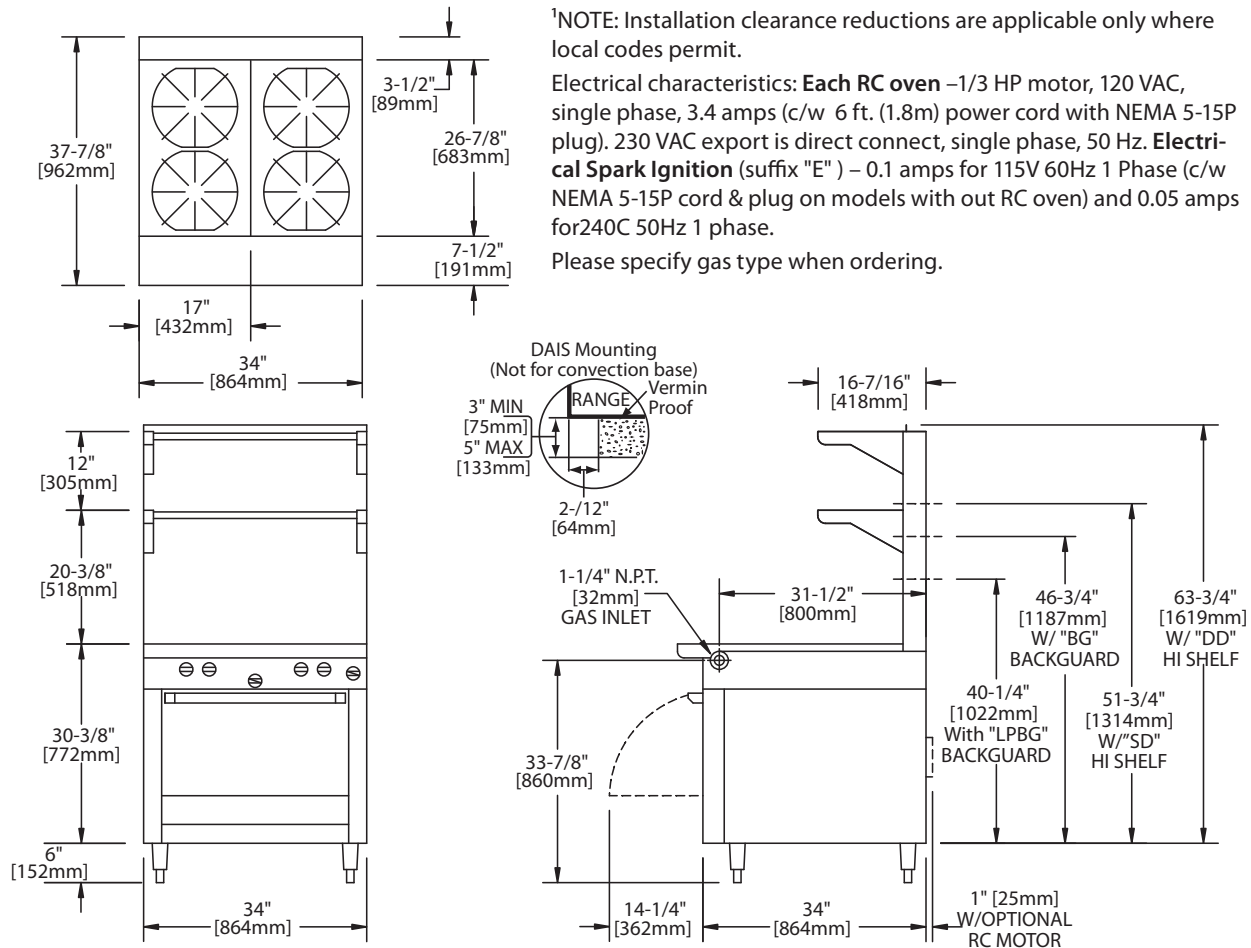
*Modular top has 1-1/2" seating flanges **RC oven is 25" (635mm) deep

INPUT-BTU/hr (Natural Gas)	MST44R(C)	MST44S & MST44T	Gas input ratings shown here are for installations up to 2,000 ft. (610m) above sea level. Specify altitudes over 2,000 ft.
CE Approved Top Section	120,000 (35.24 kW)	120,000 (35.14W)	
CSA Approved Top Section	140,000 (41.02 kW)	140,000 (41.02kW)	
Oven***	40,000 (11.72kW)	N/A	

RC=Range w/Convection Oven R=Range w/Oven S=Range w/Storage Base T=Modular Top

*** Oven rated 35,000 BTU (10.25kW) for Propane Gas

INSTALLATION NOTES			Shipping: Wt (Lb/Kg) – Cu Ft
Combustible Wall Clearances ¹	Entry Clearances	Operating Pressure	MST44R 440/200 – 50 MST44S 340/155 – 50 MST44T 250/114 – 20
Sides: 14" (356mm) Back: 6" (152mm)	Crated: 39-1/4" (997mm) Uncrated: 34-1/4" (870mm)	Natural: 6" WC (15mbar) Propane: 10" WC (25mbar)	



Form# MST44 (05/27/13)