



Brema Ice Machines add a touch of elegance to your establishment. Known and trusted in the industry for high-quality construction and consistent production, they are the most reliable choice for all your ice production needs.

Ice Flakes



Brema Ice Flake Machines are used in retail, fish and seafood, and therapeutic sectors for chilled displays and presentations. The auger and ice breaker work together to create irregular shapes in a continuous fashion. The simplicity of the production process ensures cost-effective operation.



Granular Ice, 80-82% Dry

Standard Features



1L water = 1kg ice



AISI 304 Stainless steel evaporator



Air cooling system



Easy cleanable internal rounded surfaces



Dust-proof water basin



RoHS Free



Electromechanical operation



ON/OFF switch



Automatic water charge



HFC Free
HC R290 Refrigerant Gas

GB Series

Standard Features Included



Adjustable stainless steel feet



HCFC-Free insulated storage



Retractable insulated door



GB903A HC USA



GB1504A HC USA



Brema Ice Machine Cleaner

For use with Brema Ice Machines to completely descale and clean interior and exterior surfaces and components. Colorless and odorless, powdered agent. Sold separately.

G Series

Standard Features Included



1 m³ = 550 kg of ice



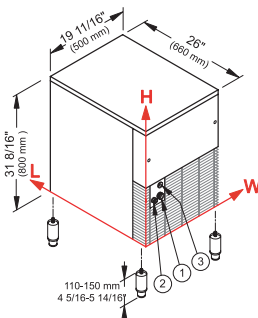
Rotation sensor on low speed shaft



G280A HC USA



BIN200



Adjustable feet 4 5/16" – 5 14/16"

GB903A HC USA

115V, 450W, 4.5A

253 lbs

209 lbs

66 lbs

26" x 19.5" x 31.5"

148 lbs

46.5" x 30.75" x 29"

167.5 lbs

Power

Compatible With

Production/24h*

Production/24h**

Bin Capacity

Dimensions (L x W x H)

Net weight

Ship Dim. (L x W x H)

Ship weight

GB1504A HC USA

115V, 680W, 15A

368 lbs

335 lbs

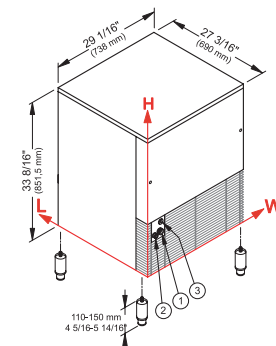
88 lbs

27" x 29" x 36"

187 lbs

29" x 30.75" x 40"

209 lbs



Adjustable feet 4 5/16" – 5 14/16"

- ① WATER IN: 3 14/16" – 6 4/16" – 3/4"
- ② WATER OUT: 1 14/16" – 5 15/16" – 15/16"
- ③ ELECTRICAL CONNECTIONS: 3 7/16" – 9 1/16"

- ① WATER IN: 4 2/16" – 7 3/16" – 3/4"
- ② WATER OUT: 2 1/16" – 6 14/16" – 15/16"
- ③ ELECTRICAL CONNECTIONS: 3 10/16" – 10"

G280A HC USA

Power

120V, 1050W, 8.5A

Compatible With

BIN200

Production/24h*

668 lbs

Production/24h**

529 lbs

Bin Capacity

—

Dimensions (L x W x H)

22" x 22" x 27.5"

Net weight

183 lbs

Ship Dim. (L x W x H)

36" x 25.5" x 25.5"

Ship weight

205 lbs

Coming Soon

BIN200

Power

—

Compatible With

G280A HC USA

Production/24h*

—

Production/24h**

—

Bin Capacity

440 lbs

Dimensions (L x W x H)

31" x 34" x 39.5"

Net weight

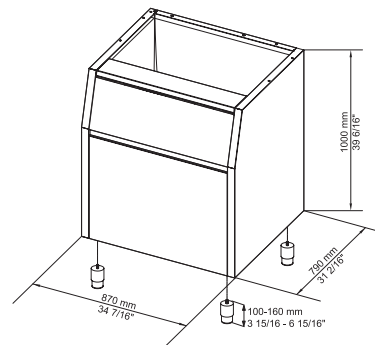
163 lbs

Ship Dim. (L x W x H)

47.5" x 36.25" x 33"

Ship weight

205 lbs



Adjustable feet 3 15/16" – 6 15/16"

*Ambient Temperature
21°C (70°F) / Water 10°C (50°F)
**Ambient Temperature
32°C (90°F) / Water 21°C (70°F)



Intertek



Energy Verified

Warranty
3 years parts & labor,
5 years on the compressor