



GLOBE FOOD EQUIPMENT COMPANY

Gas Countertop Griddles

GG15-48G / GG15-48TG

Project

Item #

Quantity



GG36G



# Gas Countertop Griddles

*Globe Countertop GAS Equipment*

### Models

Manual Control Countertop Griddle

- GG15G     GG36G
- GG24G     GG48G

Thermostat Control Countertop Griddle

- GG15TG     GG36TG
- GG24TG     GG48TG

### Standard Features

- Manual or Thermostatic controls in: 15", 24", 36", 48" widths
- 3/4" highly polished griddle plate fully welded to stainless steel frame, 20" deep
- High performance 30,000 BTU per burner
- Electronic ignition on thermostatic griddles
- Stainless steel U-style burners provide flame every 6"
- Stainless steel, double wall construction, front, sides and back and extended cool-to-touch front edge
- Individual adjustable pilot for each burner with easy front panel access
- Temperature range on the thermostatic griddle, 200°F-575°F
- Spatula wide 4" trough
- Removable, easy-to-clean, stainless steel catch tray
- Adjustable 4" stainless steel legs
- Unit ships Natural Gas with LP conversion kit included



Conforms to ANSI  
STD Z83.11b -2009  
Certified to CSA  
STD 1.8b -2009

### Standard Accessories

- Stainless Steel Catch Tray
- LP Conversion Kit

### Warranty

- Two-year parts and labor

Approved By: \_\_\_\_\_

Date: \_\_\_\_\_



**GLOBE FOOD EQUIPMENT COMPANY**  
[www.globeslicers.com](http://www.globeslicers.com)

2153 Dryden Rd.  
 Dayton, OH 45439  
 Phone: 937-299-5493  
 Phone: 800-347-5423  
 Fax: 937-299-4147



# Gas Countertop Griddles

# GG15-48G / GG15-48TG

### For Indoor Use Only

#### GAS REQUIREMENTS:

Natural Gas or Liquid Propane Gas main supply required

- 3/4 inch standard pipe size I.D. connection

#### Griddle Top Cooking Space:

GG15G, GG15TG: griddle area 15" W x 20" D (38 cm x 51 cm)

GG24G, GG24TG: griddle area 24" W x 20" D (61 cm x 51 cm)

GG36G, GG36TG: griddle area 36" W x 20" D (91.4 cm x 51 cm)

GG48G, GG48TG: griddle area 48" W x 20" D (122 cm x 51 cm)

#### Griddle Burners:

30,000 BTUs per burner.

Stainless steel U-style burners provide flame every 6".

#### Manual and Thermostatic Controls:

Allows for cooking multiple foods at different temperatures on a single griddle surface, maintaining a constant heat under the selected griddle area and ensuring product consistency.

**Thermostatic Controls Temperature Range:** 200°F - 575°F

## Specifications

**Construction:** Stainless steel front, sides and back; extended cool-to-touch front edge; cast iron griddle plate; stainless steel legs.

**Standard Equipment:** easy-to-remove catch tray, adjustable 4" stainless steel legs, and LP conversion kit.

#### Stainless Steel Catch Tray:

Continuously collects grease and crumbs while cooking on the stainless steel griddle.

**LP Conversion Kit:** All units ship Natural Gas ready with convertible regulator. Liquid Propane conversion kit is included for kitchens equipped with this gas type. Conversion of your unit from Natural Gas to LP must be completed by an authorized gas installer.

#### GG15G, GG15TG Dimensions:

Foot Print = 32" L x 15" W (81.3 cm x 38.1 cm)  
Overall Length = 32" (81.3 cm)  
Overall Width = 15" (38.1 cm)  
Overall Height = 15.875" (40.3 cm)

#### GG24G, GG24TG Dimensions:

Foot Print = 32" L x 24" W (81.3 cm x 61 cm)  
Overall Length = 32" (81.3 cm)  
Overall Width = 24" (61 cm)  
Overall Height = 15.875" (40.3 cm)

#### GG36G, GG36TG Dimensions:

Foot Print = 32" L x 36" W (81.3 cm x 91.4 cm)  
Overall Length = 32" (81.3 cm)  
Overall Width = 36" (91.4 cm)  
Overall Height = 15.875" (40.3 cm)

#### GG48G, GG48TG Dimensions:

Foot Print = 32" L x 48" W (81.3 cm x 122 cm)  
Overall Length = 32" (81.3 cm)  
Overall Width = 48" (122 cm)  
Overall Height = 15.875" (40.3 cm)

#### SHIPPING:

##### GG15G, GG15TG Shipping Information:

Net Weight: 110 lbs (50 kg)  
Shipping Weight: 115 lbs (52 kg)

##### GG15G, GG15TG Shipping Dimensions:

18" W x 32" D x 14" H (45.7 cm x 81.3 cm x 35.6 cm)

##### GG24G, GG24TG Shipping Information:

Net Weight: 163 lbs (74 kg)  
Shipping Weight: 194 lbs (88 kg)

##### GG24G, GG24TG Shipping Dimensions:

28" W x 32" D x 19" H (71.1 cm x 81.3 cm x 48.3 cm)

##### GG36G, GG36TG Shipping Information:

Net Weight: 231 lbs (105 kg)  
Shipping Weight: 276 lbs (125 kg)

##### GG36G, GG36TG Shipping Dimensions:

40" W x 32" D x 19" H (102 cm x 81.3 cm x 48.3 cm)

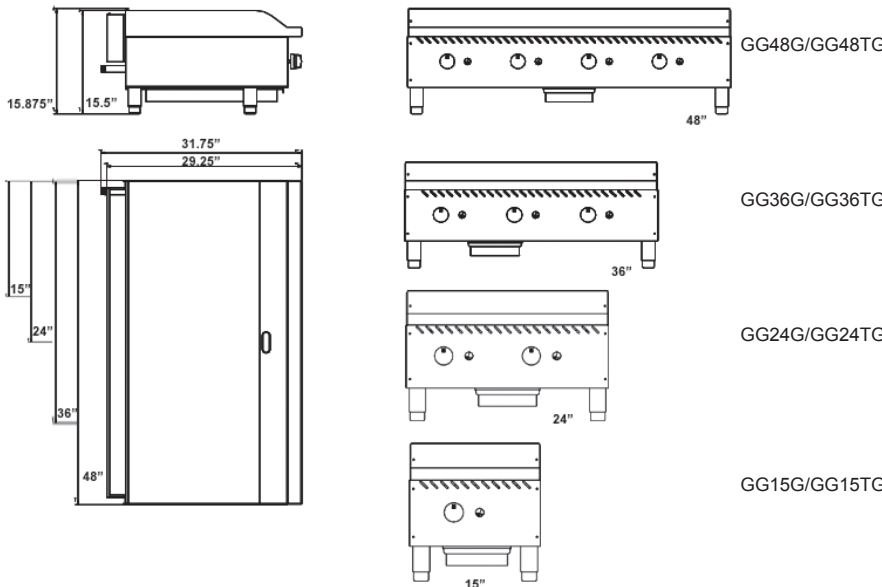
##### GG48G, GG48TG Shipping Information:

Net Weight: 287 lbs (130 kg)  
Shipping Weight: 342 lbs (155 kg)

##### GG48G, GG48TG Shipping Dimensions:

52" W x 32" D x 19" H (132 cm x 81.3 cm x 48.3 cm)

Cartons are reinforced for shipping. The weight and dimensions of this reinforced carton are included above and may vary from shipment to shipment. These items are shipped on a pallet.



## GLOBE FOOD EQUIPMENT COMPANY

[www.globeslicers.com](http://www.globeslicers.com)

2153 Dryden Rd.  
Dayton, OH 45439  
Phone: 937-299-5493  
Phone: 800-347-5423  
Fax: 937-299-4147

Printed in U.S.A. 8-2011