

PRODUCT:

QUANTITY:

Models GHP-2i GHP-4i GHP-6i
ITEM:

Designed Smart

Increased Performance

- Workline high output gas burners generate 28,000 BTU's per burner
- Reduces amount of labor time to boil water by 50%
- Fast start-up to prime cooking temperatures
- Openings in the front allow the pilot light to be easily lit and adjusted without removing the front panel
- Thick, stainless steel construction on front panel and top skirt protects against kitchen "wear and tear" and rust
- Thick cast iron grates stand up to years of high output use
- Welded construction

Safety Features

- Bull-nose front extension protects employees from burns

Saves Time and Clean-up Labor Cost

- Maintenance is easier with bottom-mount grease collection pan and removable top grates
- Self-cleaning radiants
- Field convertible gas regulator

APW Wyatt Design Features

- Heavy-duty stainless steel and aluminized steel construction
- 28,000 BTU/hr per cast iron burner
- Smooth action, infinitely adjustable gas valves turn 180 degrees, giving the operator ultimate control
- Field convertible and adjustable gas regulator
- Removable cast-iron grate
- Stainless steel collection pans
- Adjustable viewable pilot
- 4" (10.2cm) heat-resistant, adjustable legs
- Front or top-serving

*Warranty does not include cooking grates or fireboxes.



Model GHP-2i Standard Gas Hot Plate

Options & Accessories

- WOK Ring Accessory – Part # 21815507
- High altitude versions available (contact factory)

Reliability backed by APW Wyatt's Warranty

All APW Wyatt Heavy Duty Cookline Equipment is backed by our 2-year parts & labor warranty.

•Certified by the following agencies:

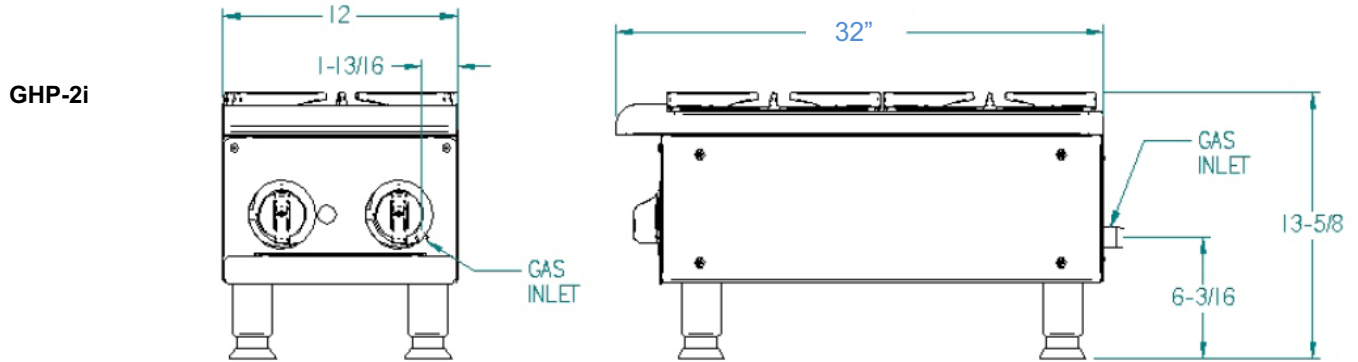


See reverse side for product specifications.

PRODUCT:

QUANTITY:

Models GHP-2i GHP-4i GHP-6i
ITEM:



PRODUCT SPECIFICATIONS

CONSTRUCTION:

Stainless steel top skirt, crumb tray and front panel. Aluminized steel sides and back panel. Welded construction. Field convertible gas regulator. 4" adjustable legs. 3/4" gas hookup.

Gas Specifications:

- GHP-2i: 2 burners, 28,000 BTU/hr. each, total 56,000 BTU/Hr. input 2 manual infinitely adjustable controls (Propane is 56,000 BTU/Hr.)
- GHP-4i: 4 burners, 28,000 BTU/hr. each, total 112,000 BTU/Hr. input, 4 manual infinitely adjustable controls (Propane is 112,000 BTU/hr.)
- GHP-6i: 6 burners, 28,000 BTU/hr. each, total 168,000 BTU/hr. input, 6 manual infinitely adjustable controls (Propane is 168,000 BTU/hr.)

Overall Dimensions:

- GHP-2i: 13 5/8"H x 12"W x 32"D
- GHP-4i: 13 5/8"H x 24"W x 32"D
- GHP-6i: 13 5/8"H x 36"W x 32"D

NOTE: Regulator and pipe add 1 1/4" to the rear of the unit.

Shipping:

- GHP-2i: 63 lbs (23.6 kg)
- GHP-4i: 122 lbs (55.3 kg)
- GHP-6i: 188 lbs (85.3 kg)

Freight Class: 70

FOB: Allen, TX 75013

*APW Wyott reserves the right to modify specifications or discontinue models without incurring obligation.