

Garland[™] Induction

Griddle 3.5kW and 5.0kW

Item: _____
 Quantity: _____
 Project: _____
 Approval: _____
 Date: _____

Induction Griddle 3.5kW and 5.0kW

Models:

- GI-SH/GR 3500 GI-SH/GR 5000



How Induction Works:

Although induction seems magical in how it works, there is a scientific explanation.

1. An alternating current in an induction coil produces an alternating magnetic field
2. This magnetic field is instantly transferred and concentrated to the cooking vessel
3. This concentrated magnetic energy in the cooking vessel causes it to heat up and start cooking
4. When the vessel is removed from the heat source, the induction unit automatically shuts off

Standard Features:

- Compact high power induction griddles available in either 3.5 kW or 5.0 kW
- Instant energy transmission from inverter coil to griddle plate surface for excellent temperature recovery; heat up time, 68° to 392°F (20° to 200°C), 4.30 minutes for 3.5kW, 3.00 minutes for 5.0kW
- Equal heat distribution for corner to corner, with consistent results across the entire cooking surface. Surface is controlled and monitored, resulting in automatic adjustment as soon as a temperature deviation is detected
- Stainless Steel cabinet construction
- Removable, reusable intake filter
- Removable stainless steel griddle plate splashguard
- Easy access front grease trough
- 6' (1829mm) cord and plug supplied
- Integral cooling fan keeps electronics cool, discharging from rear with protective air deflectors preventing hot exhaust to be pulled back into unit
- Innovated new technology for temperature differential sensing; RTCSmp is an internal control software development matching speed, capability and performance.
 R – Real Time
 T – Temperature
 C – Control
 S – System
 m – Multi
 p – Point
- Durable grill plate surface, with low friction co-efficiency, abrasion, chemical, corrosion, and heat resistant

Specifications:

Shall be a Garland Induction Griddle, unit model GI-SH/GR 3500 with a total kW rating of 3.5 kW or model GI-SH/GR 5000 with a total kW rating of 5.0 kW. Built with a durable easy to clean stainless steel exterior and a griddle plate, manufactured with a fine match of mechanical, chemical and electrolytic surface coatings. Rotary dial thermostat control with LED read out 69°-450°F (20°-230°C). Unit to come in 208V power with integral cord and plug.

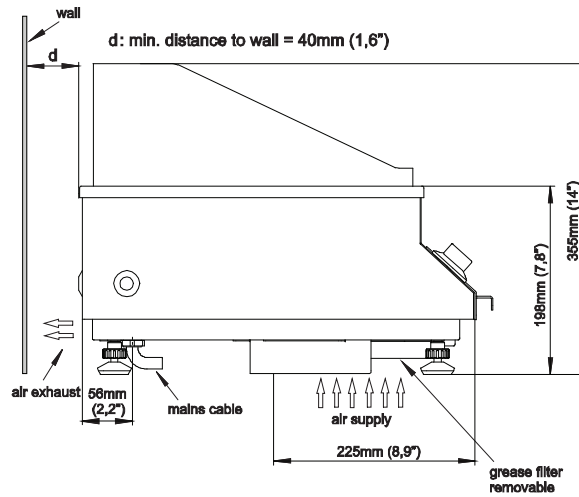
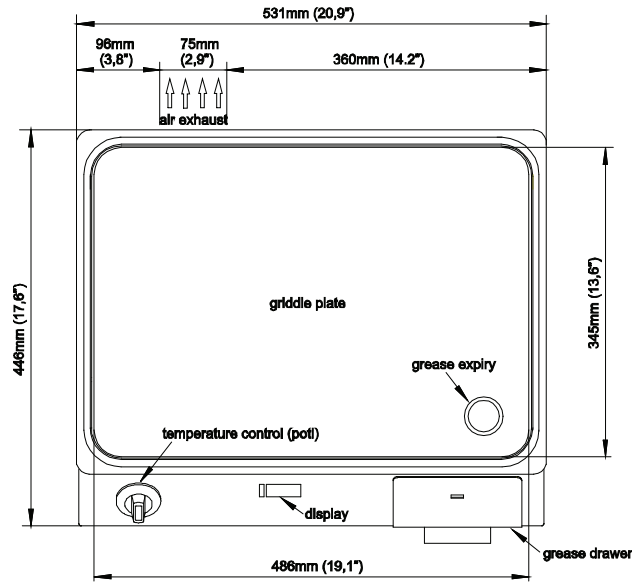


Conforms to UL-197 & NSF-4
 Certified to CAN/CSA
 C22.2 NO. 109 VDE EN60335-2-38

Garland Commercial Ranges Ltd.
 1177 Kamato Road,
 Mississauga, Ontario
 L4W 1X4 CANADA

General Inquiries 1-905-624-0260
 USA Sales, Parts and Service 1-800-424-2411
 Canadian Sales 1-888-442-7526
 Canada or USA Parts/Service 1-800-427-6668





PLUG CONFIGURATIONS:

Model	Electrical Characteristics	Plug
GI-SH/GR 3500	208V/60Hz/1Ø	NEMA 6-20P
GI-SH/GR 5000	208V/60Hz/3Ø	NEMA 15-20P

Electrical Loading:

Model	Watts	208/60/1	208/60/3
GI-SH/GR 3500	3500	17 amp	N/A
GI-SH/GR 5000	5000	N/A	14 amp

Garland/U.S. Range products are not approved or authorized for home or residential use, but are intended for commercial applications only. Garland / U.S. Range will not provide service, warranty, maintenance or support of any kind other than in commercial applications.

Form# GI-SH/GR 3500/5000 (12/09/11)