

Item No.

Consistent Pasta, Batch After Batch, With The Anets Pasta Pro

Use the Pasta Pro to batch cook, cook to order, or reheat pasta or any product cooked in water. Precise controls regulate the boil for perfectly cooked product. Unique "Power Burst" feature controls the BTU input at the flip of a switch. Rapid boil or quick reheat with the full 150,000 BTU input or reduce to 75,000 BTU to maintain a gentle simmer or re-heat temperature. Control cook times with optional built in timers or automatic basket lifts. Add a rinse station and faucet for a complete pasta station.

STANDARD FEATURES

- Cook pot and burner tubes are special marine grade stainless steel specifically for water applications
- Super sensitive thermostats regulate the boil within +/-1°F
- "Power Burst" feature allows operator to control the BTU input, providing energy saving input or quick reheat when necessary
- Built-in manual water-fill enables the operator to adjust water input for continuous refill (option). Manual water control eliminates the need for complicated floats and costly components
- Tube type design assures maximum heat input across the 18" cooking area
- Overflow area safeguards against accidental overflow
- Skimming area provides a place to continuously remove starch build up
- Front drain tray



GPC-18 shown with optional adjustable continuous water fill, rinse station, hot and cold faucet, split bulk baskets and casters.



SPECIFICATIONS

■ Model

GPC-18, Basic
GPC-18AA, Fully automatic twin lifts

■ Certification

UL, NSF

■ BTUH

Min. 75,000/Max. 150,000

■ Gas Pressure

NG 3.5" WC, LP 10" WC

■ Gas Connection

3/4" NPT

■ Electrical Requirements

GPC-18

120V, 60HZ, 1PH, 2 Amps

GPC-18AA

120V, 60HZ, 1PH, 5 Amps

■ Thermostat

Solid state

■ Temperature Range

190° to 212°F (88°-100°C)

160° to 212°F (71°-100°C) (optional)

■ Burners

Atmospheric pre-mix

■ Hi-Limit

Safety control turns off main gas supply at 250°F (121°C)

■ Safety Pilot

100% gas shut off valve

■ Spark Ignitor

Piezo electric

■ Cookpot

Marine grade stainless steel

■ Cookpot Tubes

Marine grade stainless steel

■ Cabinet

Door, trim, sides, backsplash: stainless steel

■ Water Capacity

17 gallons

STANDARD ACCESSORIES

■ Rack type basket support

NOTE: Baskets must be ordered separately

■ Front drain tray

■ 6" Adjustable chrome plated legs

OPTIONS AND ACCESSORIES

■ Adjoining rinse station (RSF18)

■ Hot and cold water faucets

■ Adjustable continuous water fill

■ Fully automatic twin lifts

■ 15 minute timers with buzzers

■ Low temperature thermostat for rethermalizing or blanching (160°F to 212°F) (71°-100°C)

■ 6" Casters

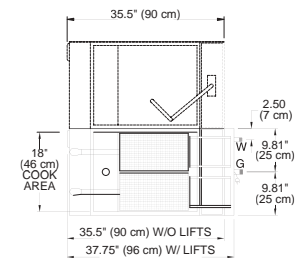
BASKETS

■ Bulk

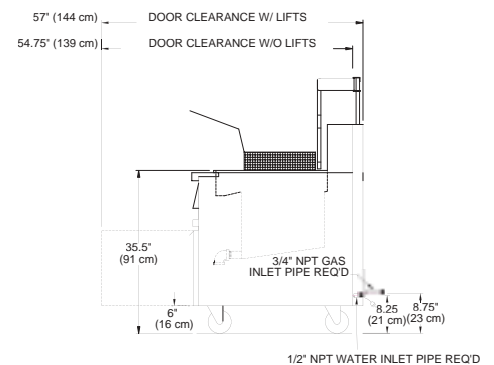
■ Split bulk (Twin)

■ 5 3/4" Round

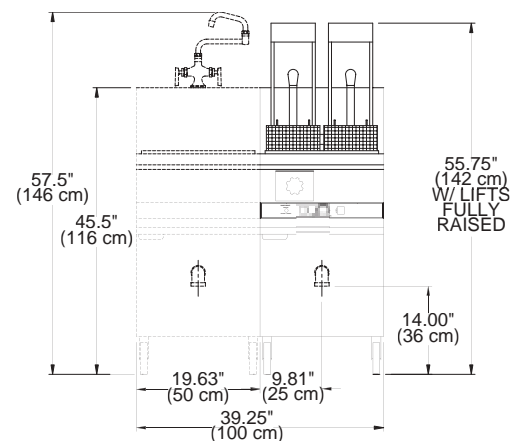
■ Portion rack with (9) 10oz plastic portion cups



Top View



Side View



Front View

Note: Diagrams include optional rinse station with faucet (RSF18).