

## GR Series - Reach In Hinged Glass Doors Refrigerators - Bottom Mount

• PRODUCT SPECIFICATIONS SHEETS



- Cases are designed to operate at 75 degrees Fahrenheit and 55% relative humidity

**Self-Contained  
Remote**

**GR22BM  
R-GR22BM**

**GR48BM  
R-GR48BM**

**GR75BM  
R-GR75BM**

**GR102BM  
R-GR102BM**

**Length**

26-1/2"

52-1/4"

78"

103-3/4"

**Height**

82-1/4"

82-1/4"

82-1/4"

82-1/4"

**Depth with drain cover**

36-1/2"

36-1/2"

36-1/2"

36-1/2"

(Dimensions are +/-1/4")

- Specification subject to change without notice

## GR Series - Reach In Hinged Glass Doors Refrigerators - Bottom Mount

### Standard Specifications and Optional Features

<p><b>CONSTRUCTION</b>                  UL Classified to ANSI/NSF 7                  Heavy duty construction                  CFC free foamed in place insulation                  Removable front grille for easy servicing                  1, 2, 3 or 4 door models available                  Heavy duty edge mounted hinges</p>	<p><b>FINISHES</b>                  Doors-Anthony style 101-chrome finish                  Exterior-designer white                  Interior-designer white                  Rear-designer white</p>
<p><b>INTERIOR</b>                  White aluminum ends and back                  White aluminum floor                  Aluminum evaporator fan housing                  4 heavy duty epoxy coated shelves per door</p>	<p><b>REFRIGERATION</b>                  Bottom mounted condensing unit                  R134a refrigeration                  1, 2, &amp; 3 door, Capillary tube                  4 door-expansion valve                  Remote available</p>
<p><b>EXTERIOR</b>                  White aluminum ends and fronts                  Double pane glass doors 23-3/4"X62-1/4"                  provides wide view display</p>	<p><b>LIGHTING</b>                  Vertical light behind mullion                  1 Dr = 1 light                  2 Dr = 1 light                  3 Dr = 2 lights                  4 Dr = 3 lights</p>
<p><b>ELECTRICAL REQUIREMENTS</b>                  1,2,3 Door Units 115V/60Hz/1Ph                  Cord and plug                  4 Door 115V/208-230V/60Hz/1Ph                  Unit must be hard wired                  UL/CUL listed</p>	<p><b>Important Note: All refrigerated cases are designed to operate in an environment of 75 degrees and 55% relative humidity.</b></p> <p><b>Important Note: Product must be cooled before being displayed within the case.</b></p>

### OPTIONAL FEATURES

<p>Stainless steel, laminate or paint                  Digital thermometer                  Door swing change</p>	<p>Extra shelf with clips                  Door locks</p>
---	---



## GR Series - Reach In Hinged Glass Doors Refrigerators - Bottom Mount

### Technical Data

Model	Self contained	GR22BM	GR48BM	GR75BM	GR102BM
	Remote	R-GR22BM	R-GR48BM	R-GR75BM	R-GR102BM
Length		26-1/2"	52-1/4"	78"	103-3/4"
Height		82-1/4"	82-1/4"	82-1/4"	82-1/4"
Depth		33-7/8"	33-7/8"	33-7/8"	33-7/8"
Depth with drain (Dimensions are +/- 1/4")		36-1/2"	36-1/2"	36-1/2"	36-1/2"
Operating temperature	Self contained	38°F to 41°F	38°F to 41°F	38°F to 41°F	38°F to 41°F
Refrigerant		R134a	R134a	R134a	R134a
System type		Capillary tube	Capillary tube	Capillary tube	Expansion valve
Compressor size- HP	Self contained	1/3	1/3	1/2	3/4
Refrigeration system	Remote	Temp. control	Temp. control	Temp. control	Pressure control
BTU's at +20°F Evap. Temp.		1700	3100	4400	5900
Voltage		115V	115V	115V	115/208-230V
Amperage	Self contained	10.2A	11.0A	13.8A	6.4/7.1A
Amperage	Remote	2.6A	3.4A	4.1A	6.4A
Cord and plug		Yes(15A)	Yes(15A)	Yes(20A)	No
Exterior color		White	White	White	White
Interior color		White	White	White	White
Inside end panels		White	White	White	White
Floors		White	White	White	White
Drain		No	No	No	No
Total shelves		4	8	12	16
Door size		23-3/4"X62-1/4"	23-3/4"X62-1/4"	23-3/4"X62-1/4"	23-3/4"X62-1/4"
Cubic capacity (ft <sup>3</sup> )		22	48	75	102

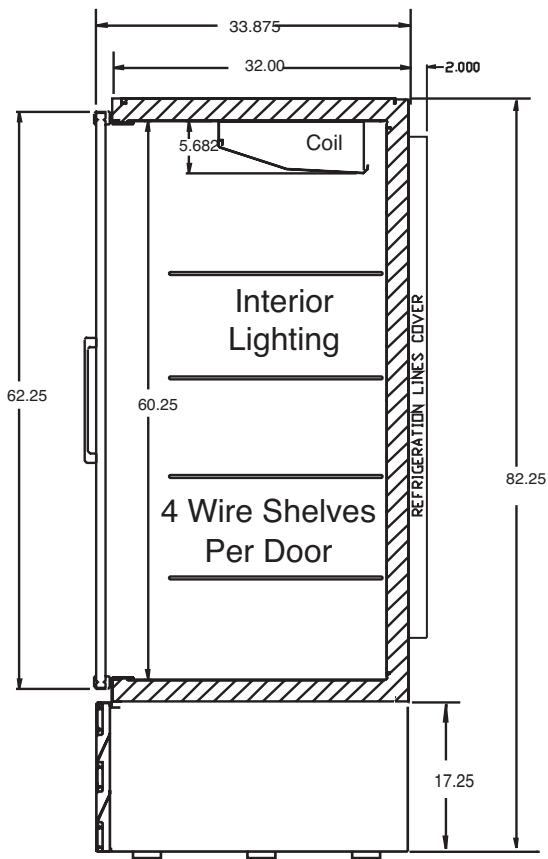
### SHIPPING INFORMATION

Height		86"	86"	86"	86"
Depth		44"	44"	44"	44"
Length		31"	58"	84"	109"
Gross weight	Self contained	330#	520#	720#	980#
	Remote	215#	405#	595#	830#
Cubic feet		77ft <sup>3</sup>	125ft <sup>3</sup>	182ft <sup>3</sup>	236ft <sup>3</sup>

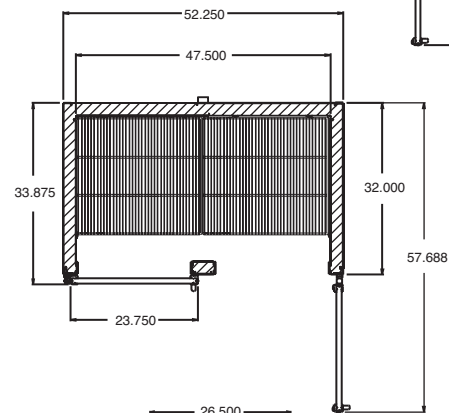
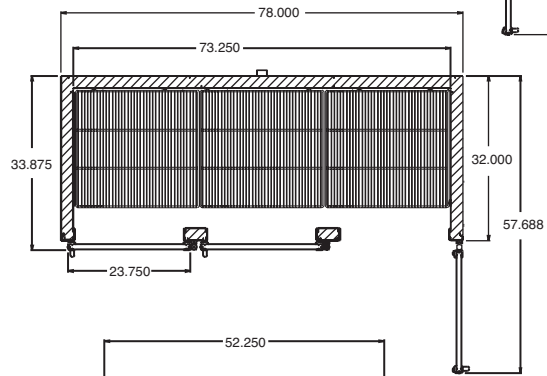
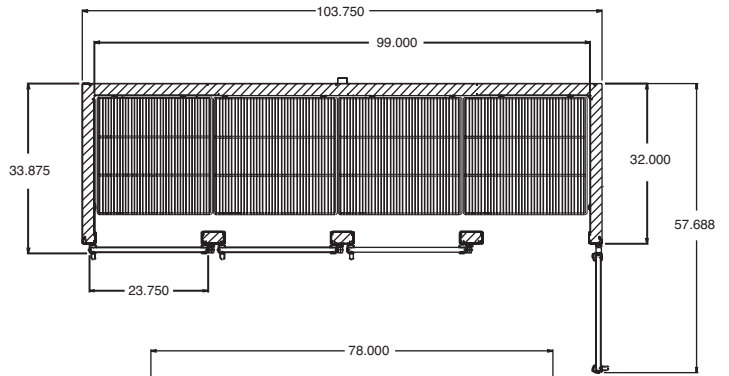
- Cases are designed to operate at 75 degrees Fahrenheit and 55% relative humidity
- Specification subject to change without notice

## GR Series - Reach In Hinged Glass Doors Refrigerators - Bottom Mount

### Technical Data • Side View • Plan View



Cross Section



Plan Views

