

# manual convection oven

models : **GS1105-17 & GS1105-28**



## CAPACITY

3- 18" x 13" / 46cm x 33cm half size pans

## FUNCTIONAL FEATURES

- Set temperature from 200°F to 500°F
- Cooking time adjustable up to 2 hours or "infinite" time to adjust cooking duration
- Convection cooking

## CONSTRUCTION FEATURES

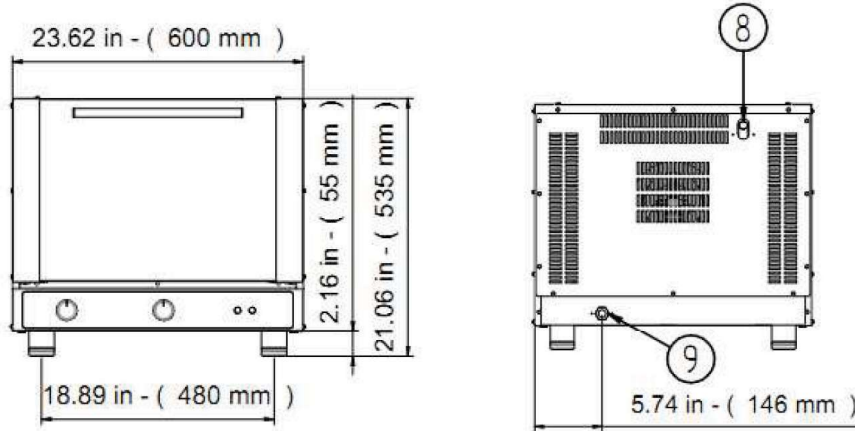
- Cooking chamber entirely made with stainless steel
- Oven shell entirely made with stainless steel
- Inspection door to facilitate cleaning operations
- Recessed gasket to guarantee chamber cooking seal

Great for any size kitchen that needs to bake in small batches. This half size convection oven is the perfect space-saving solution for a tight kitchen.



# manual convection oven

models : **GS1105-17 & GS1105-28**



- 8. Steam Exhaust
- 9. Cable Gland for Power Supply

**INSTALLATION REQUIREMENTS:**

- The oven must be positioned on a leveled surface
- Hot surfaces must comply with the minimum distances from the oven:
  - LEFT SIDE: 19.7" (50cm)
  - RIGHT SIDE: 19.7" (50cm)
  - REAR PANEL: 19.7" (50cm)
- Other surfaces must comply with the minimum distances from the oven:
  - LEFT SIDE: 3.94" (10cm)
  - RIGHT SIDE: 3.94" (10cm)
  - REAR PANEL: 3.94" (10cm)

**SPECIFICATIONS MODEL GS1105-17:**

- Width..... 23.62" (60cm)
- Depth..... 27.91" (70.9cm)
- Height..... 21.06" (53.49cm)
- Unit Weight ..... 87 lbs (39.4kg)
- Shipping Weight ..... 98 lbs (44.4kg)
- Voltage..... 120**
- Rated Wattage..... 1700**
- Nominal Amps ..... 14**
- Plug Configuration ..... NEMA 5-20**

**SPECIFICATIONS MODEL GS1105-28:**

- Width ..... 23.62" (60cm)
- Depth..... 27.91" (70.9cm)
- Height..... 21.06" (53.49cm)
- Unit Weight ..... 87 lbs (39.4kg)
- Shipping Weight ..... 98 lbs (44.4kg)
- Voltage..... 208-240**
- Rated Wattage..... 2650-2800**
- Nominal Amps ..... 11-12.5**
- Plug Configuration ..... NEMA 6-20**