

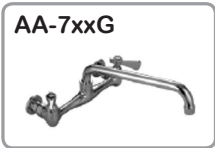


Item No.: _____
 Order No.: _____
 Qty: _____ Date: _____

Features

- 16 or 18 gauge stainless steel
- Three tubs sink with two drain boards
- 8" wall mounted faucet holes
- Polished finish stainless steel
- Stainless steel legs with cross bracing
- Extra welded under tubs for longevity
- Strainer included, opening diameter 3-5/8"

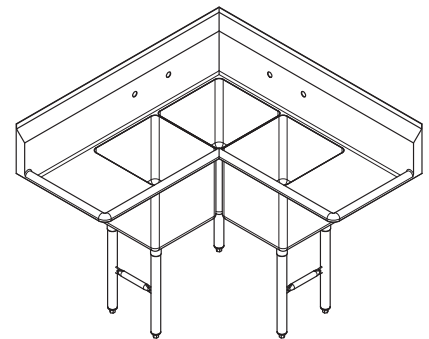
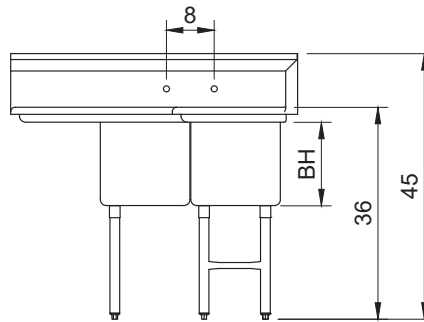
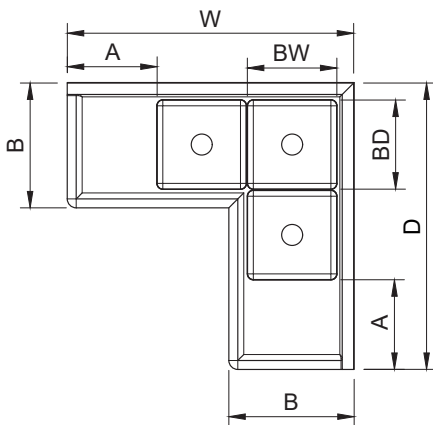
Suggested Accessory:



Description **Three Tubs L-Shape Corner Sinks**

Outfit your facility a long-lasting sink with this GSW 3-compartment stainless steel corner sink with two drainboards. Featuring 3 compartments, the sink is perfect for dishwashing applications, with one sink for each of the 3 stages of the washing process. Plus, the corner design helps maximize your back-of-house space and create an efficient layout. One left and one right drainboard are built into the unit for added convenience.

Plan View **SE15153C**



Item No.	D x W x H (in)	SinkBowl BD x BW x BH (in)	Drainboard A (in)	Side B (in)	Gauge	G.W. (lb)
SE15153C	48 x 48 x 45	15 x 15 x 12	15	21	18	75
SE18183C	57-1/2 x 57-1/2 x 45	18 x 18 x 12	18	24	18	91
SH24243C	75-1/2 x 75-1/2 x 45	24 x 24 x 16	22-1/2	30	16	160