



Item No.: _____
 Order No.: _____
 Qty: _____ Date: _____

STAINLESS STEEL SINGLE CHAMBER CHINESE WOK RANGE

Features

- 14 gauge stainless steel stove top, durable construction
- Water fall cooling system backsplash
- Comes with galvanized drip tray
- Includes full stainless steel 14" swing faucet
- Choose between 23 tip jet burner or 18 tip duck burner, safety pilot valve included

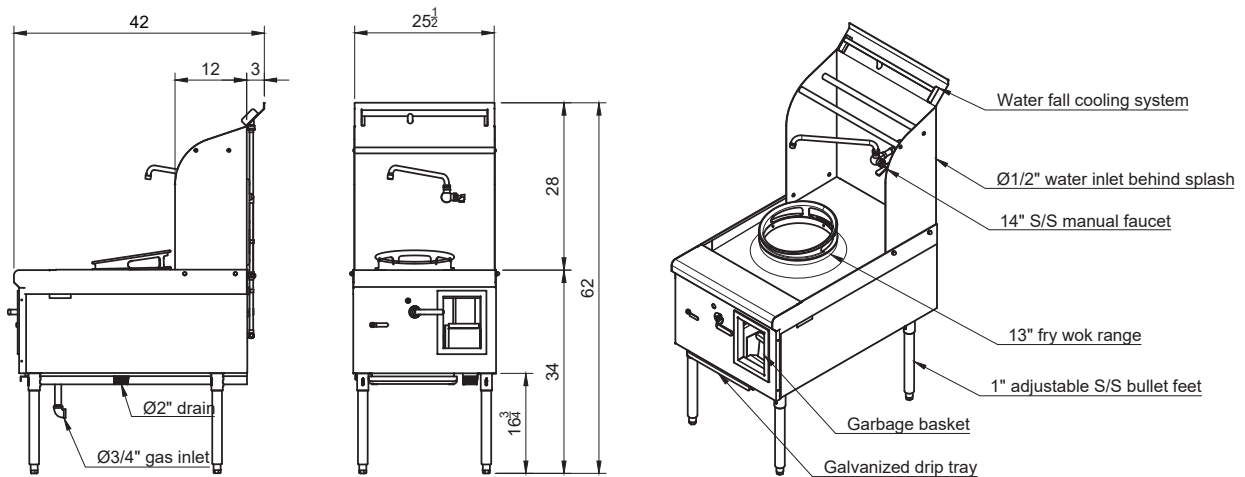
Replacement Accessories:



Description **Stainless Steel Single Burner Chinese Wok Range**

This single chamber chinese wok range is an excellent addition to your kitchen! Featuring a 13" wok chamber and cast iron ring with 125,000 BTU 23 top jet burner or 18 tip duck burner to provide you with an intense, precise heat. This power and precision are just what you need to quickly make delicious dishes at Asian restaurants and a variety of other establishments. It is built to stand tough against constant use in your high-volume restaurant.

Plan View **WR-1-13**



Item No.	Dimension (in)	Wok Range Diameter (in)	BTU/ hr	Gas Type	Gas Inlet (in)	G. W. (lb)
WR-1-13	42 x 25-1/2 x 62	Ø13	125,000	NG & LP	3/4	211