



GLASS WASHING FRONT DOOR STYLE GLASS WASHER

MODEL: _____ PROJECT: _____ ITEM #: _____ QTY: _____

PRODUCT IMAGE



GWD-24 SHOWN

AVAILABLE ONLY IN 24" SIZE

STANDARD FEATURES

- Low Temperature
- Stainless Steel construction
- **Free 1 Year Warranty** if Glass Washing Dump Sink is purchased and placed next to Glasswasher in Bar Line-Up
- 26" Front to Back depth, 38 3/4" when door is open
- 11" glass clearance accepts taller stemware
- Dual NSF listed as both a glasswasher and a dishwasher
- Counter balanced door
- Reduced water usage
- Low water tank heat protection
- Built-in detergent, rinse-aid, and sanitizing pumps
- Wash pump, 1 HP motor
- Fresh water rinse
- Thermostatically controlled wash tank heater maintains water at the required temperature
- Single Phase 115 V connection, 12 Amps
- Fully automatic wash/rinse cycle processes a rack of wares in 1 1/2" minutes, 30 racks an hour

OPTIONAL ACCESSORIES

- **28-111S** 3 1/2" x 3 1/2" Plate Caster with 5" Locking Wheel



APPROVED BY:

CERTIFICATIONS:

Due to our commitment to continued product improvement, specifications are subject to change without notice.

Printed in the USA

Krowne Metal Corporation

100 Haul Rd. Wayne, NJ 07470 • Toll Free: (800) 631-0442 • Fax: (973) 872-1129
sales@krowne.com • www.krowne.com • www.facebook.com/KrowneMetal • www.twitter.com/KrowneMetal

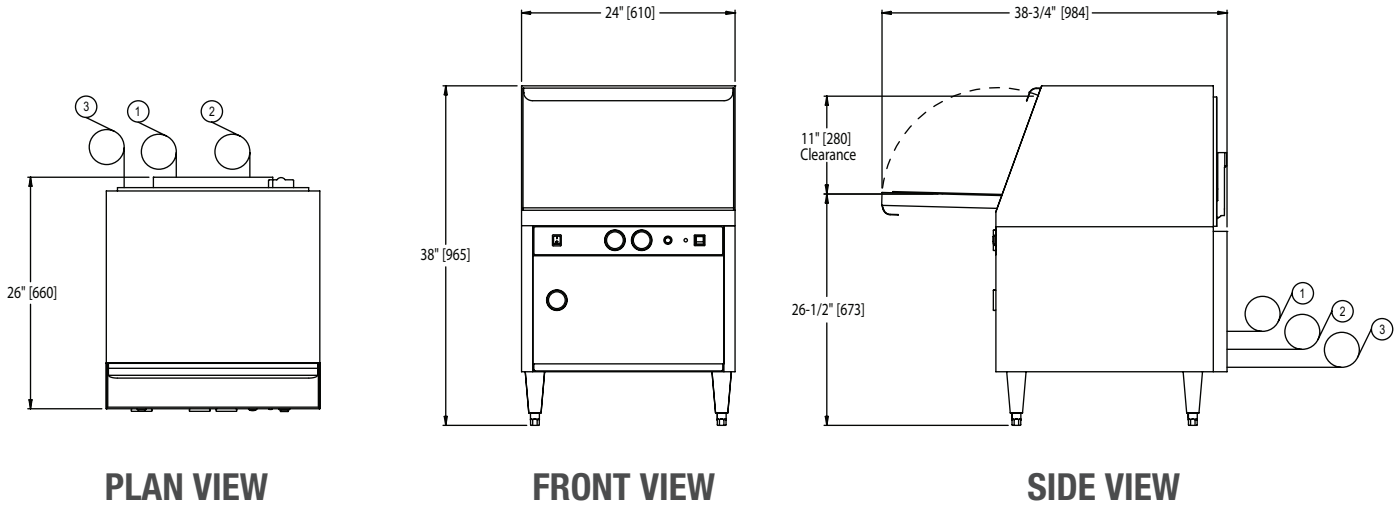
Rev. 12/2011
No. 1.16

GLASS WASHING

FRONT DOOR STYLE GLASS WASHER

MODEL: _____ PROJECT: _____ ITEM #: _____ QTY: _____

LOW TEMPERATURE FRONT DOOR STYLE GLASS WASHER

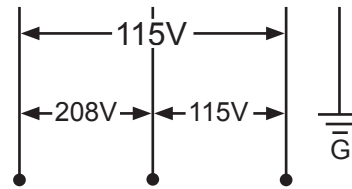


SPECIFICATIONS

CAPACITY	
Cycle time (seconds)	90
Racks per hr. (NSF)	30
MOTOR HORSEPOWER	
Wash	1
WATER CONSUMPTION	
U.S. Gallons per hr. (Max use)	49.2
U.S. Gallons per rack	1.64
TEMPERATURES °F/C	
Wash/Rinse	140
HEATING	
Tank heat, electric (kW)	.75
TIME CYCLE in SECONDS	
Wash	45
Rinse	17
Drain/Fill	28
Total Cycle	90
STANDARD 20" x 20" RACK COMPLIMENT	
Dish/Open	1

UTILITIES

- (A) ELECTRICAL**
115/60/1; 3 wire plus ground, 12 Amps.
- (B) WATER**
1/2" Supply; 140°F Min. hot water connection, 6 ft. long, 1/2" I.D. flexible fill hose with 3/4" hose connector. Flow pressure 25-95 PSI
- (C) DRAIN CONNECTION**
5/8" I.D. flexible reinforced hose, 6 ft. long. Max drain flow 15 US gpm, Max drain height 3 ft.



UNIT DIMENSIONS

	HEIGHT	WIDTH	DEPTH	SHIP WT. (lbs.)
UNCRATED	38"	25"	25"	178
CRATED	46 1/2"	27"	27 1/2"	198



APPROVED BY:

Due to our commitment to continued product improvement, specifications are subject to change without notice.