

Master Series Electric Convection Oven

Project _____
 Item _____
 Quantity _____
 CSI Section 11400
 Approved _____
 Date _____

Master Series Electric Convection Oven

Models

- MCO-ES-10-S
- MCO-ES-20-S
- MCO-ED-10-S
- MCO-ED-20-S



Model MCO-ES-10S

Standard Features

- Master 200 Solid-State digital control with 150°F (66°C) to 500° (260°C) temperature range and digital timer
- Direct spark with 100% safety shut-off
- 2-speed fan control (high & low) with .6 HP fan motor
- Total of 10.4 kW loading per oven cavity
- Stainless steel front, sides, top, and legs
- 60/40 dependent door design with double pane thermal window in both doors and interior lighting
- Full-length, stainless steel positive door closure
- Patented "Safety Door System"
- Porcelain enameled oven interior with coved corners
- 24" cooking cavity height w/6 chrome-plated oven racks on 3-position rack guides
- Double-deck models available, suffix -20-S
- Deep-depth models available prefix MCO-GD

Warranty

- 2-year limited part & 1-year labor warranty (USA & Canada only)
- 5-year limited door warranty, excluding window (USA & Canada only)

Options & Accessories

- Window in left hand door or stainless steel solid door (specify) - No charge
- Removable stainless steel drip pan
- Deck fasteners
- Extra oven racks
- Swivel casters, (4) w/front brakes
- 4 Low-profile casters, w/front brakes (double ovens only)
- Stainless steel open base with rack guides and shelf
- Direct connect vent
- Back enclosure (stainless steel)
- 460 volt, 3-phase (please specify)
- Maximum security package available contact factory for details

Specifications

Garland Master Series full-size, standard-depth, prefix MCO-ES or deep-depth, prefix MCO-ED, electric convection oven.

10.4 kW/cavity, 0.6 HP fan motor with two-speed fan control.

Master 200 solid-state control with digital timer.

Porcelain enameled oven interior with coved corners,

Six (6) oven racks and 13-position rack guides.

Interior measures 29"(736mm) W x 24" (610mm) H x 24" (610mm) for standard depth and 29" (736mm) W x 24" (610mm) H x 28" (610mm) for deep depth.

Stainless steel front, sides, top and legs.

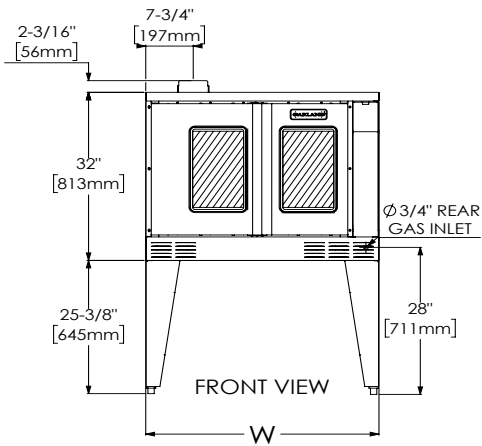
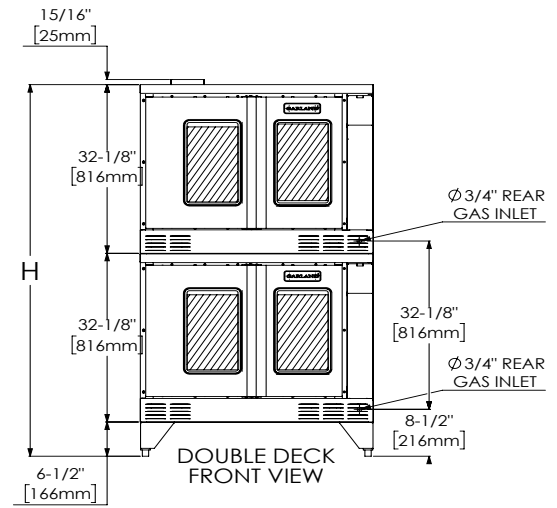
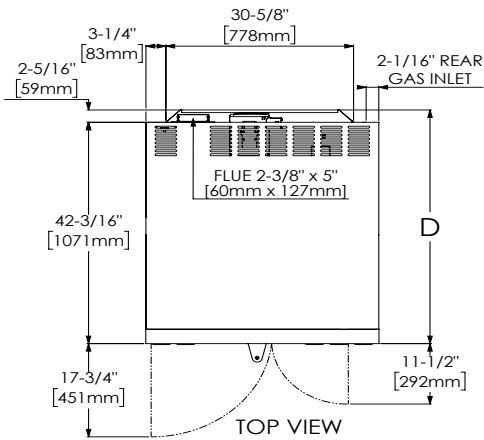
60/40 dependent door design with double pane thermal window in both doors and interior lighting.

Models with suffix 20-S are double-decked.

Specify voltage and phase.

UL, CUL and NSF Listed.





Installation Notes:			
Non-Combustible and Combustible Wall Clearances			
Sides	1" (25mm)	Back	6" (152mm)
Entry Clearance			
Crated		Uncrated	
44-1/2" (1130mm)		32-1/2" (862mm)	

Electrical specifications include motor requirements.
0.6 HP, 2 speed motor: 1670/1430 rpm, (60Hz). Please specify electrical characteristics when ordering

SINGLE-DECK MODELS	INT. DIMENSIONS: In mm			EXT. DIMENSIONS: In mm			SHIP WT. lbs/kg	SHIP DIM. cubic Ft.
	W	H	D	W	H *	D		
Standard Depth	29 (736)	24 (610)	24 (610)	38 (965)	57-1/2 (1461)	41-1/4(1048)	460/210	58.5
Deep Depth	29 (736)	24 (610)	28 (711)	38 (965)	57-1/2 (1461)	44-1/2(1130)	530/240	58.5

DOUBLE-DECK MODELS	INT. DIMENSIONS: In mm			EXT. DIMENSIONS In mm			SHIP WT. 2@lbs/kg	SHIP DIM. Cubic Ft.
	W	H	D	W	H *	D		
Standard Depth	29 (736)	24 (610)	24 (610)	38 (965)	70-1/2 (1791)	41-1/4(1048)	920/415	117
Deep Depth	29 (736)	24 (610)	28 (711)	38 (965)	70-1/2 (1791)	44-1/2(1130)	1060/480	117

*Height with or without standard casters. Height with low profile casters (double deck) is 68-1/2" (1740mm).

MODELS**	Total kW	Nominal Amperes Per Line (includes 3/4 HP fan motor)										
		208v/1Ph	240V/1Ph	208V/3Ph			240V/3Ph			460V/3Ph		
				X	Y	Z	X	Y	Z	X	Y	Z
Standard Depth	10.4	50	43	30	30	28	26	26	24	14	14	13
Deep Depth	10.4	50	43	30	30	28	26	26	24	14	14	13

**NOTE: Double deck models with suffix - "20M" are provided with individual power supply connections

Garland reserves the right to make changes to the design or specifications without prior notice.