

Polar Cuisine Remote Refrigerator or Freezer Base

Project _____
 Item _____
 Quantity _____
 CSI Section 11400
 Approved _____
 Date _____

Models

Refrigerator Units

- UN17R36
- UN17R48
- UN17R54
- UN17R60
- UN17R66
- UN1732R72
- UN171927R72
- UN17R84
- UN17R90
- UN17R96
- UN17R102
- UN17R108
- UN17R114
- UN17R120

Freezer Units

- UN17FR36
- UN17FR48
- UN17FR54
- UN17FR60
- UN17FR66
- UN17FR72



C36-6M modular top on a UN17R36 Polar Cuisine remote refrigeration base



C36-6M modular top on a UN17FR36 Polar Cuisine remote freezer base

Standard Features

- Stainless steel exterior front and sides
- ABS interior door front and cabinet sides, stainless steel interior top, rear and bottom
- Santoprene magnetic door gasket
- Non-ODP and non-GWP polyurethane foam insulation
- Heavy-duty stainless steel drawer slides with stainless steel bearings.
- Electronic control with digital thermometer
- 6" (152mm) mechanical with removable front panel for all refrigerant and electrical connections
- 6" (152mm) adjustable legs
- Vertically mounted blower coil, R452A refrigerant
- Removable track assembly drawers with a 10-year warranty for parts
- Standard drawers in refrigerator with mullion between drawers accommodates 12" x 20" x 4" deep hotel pans
- Standard drawers in freezer with mullion between drawers accommodates 12" x 20" x 8" deep hotel pans
- Condensate evaporator on refrigerator bases
- 1/2" CPVC condensate drain on freezer bases
- 1/4" liquid line, 5/16" suction line

Options & Accessories

- Extra deep drawers without mullion to accommodate 6" deep hotel pans (150mm deep Gn 1/1 pans)
- Casters
- Doors and tray racks to accommodate sheet pans in lieu of drawers, N/A on 32" drawers
- Celcius readout
- Mechanical housing on left side

Specifications

Garland low-height Remote Refrigerator Base to be exclusively used under Garland Cuisine Heavy-Duty Series modular tops.

Stainless steel exterior front and sides.

ABS interior door front and cabinet sides, and stainless steel interior top, rear and bottom.

Santoprene magnetic door gasket.

Galvanized steel bottom and back of base.

CFC-free foamed in-place insulation.

Removable stainless steel roller drawer assembly with self-lubricating rollers.

Roller assemblies carry a 10-year parts warranty.

Standard drawers in refrigerator accommodate 12" x 20" x 4" deep hotel pans.

Standard drawers in freezer accommodate 12" x 20" x 8" deep hotel pans.

R452A refrigerant refrigeration system supplied with electric condensate evaporator, solenoid and thermostat.

Units must be hard-wired on site.

Vertically mounted blower coil on inside cabinet.

6" (152mm) mechanical section for all refrigerant, and electrical connections.

Units equipped with digital thermometer. 6" (152mm) adjustable legs standard.

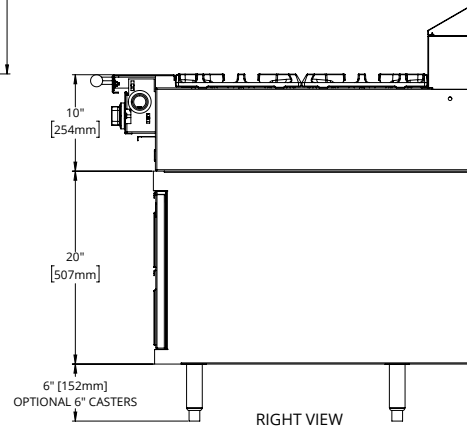
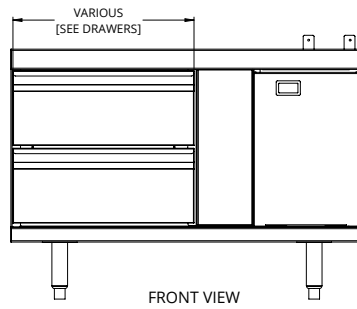
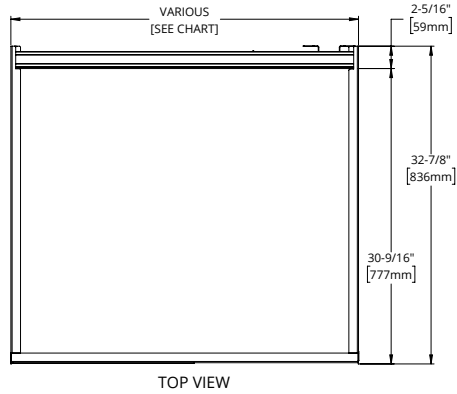
NOTE: Compressor manufactured by others. Unit must be hard wired on site.

NOTE: Bases supplied with casters must be installed with an approved restraining device.



Polar Cuisine Remote Refrigerator or Freezer Base

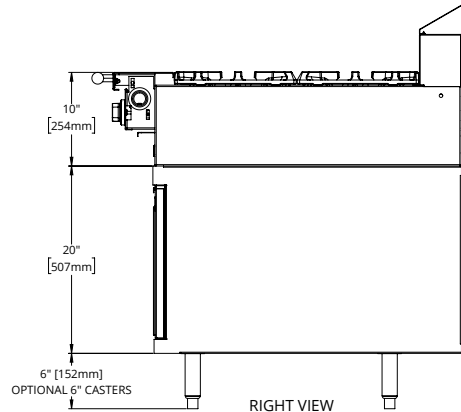
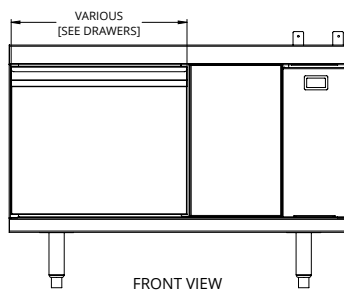
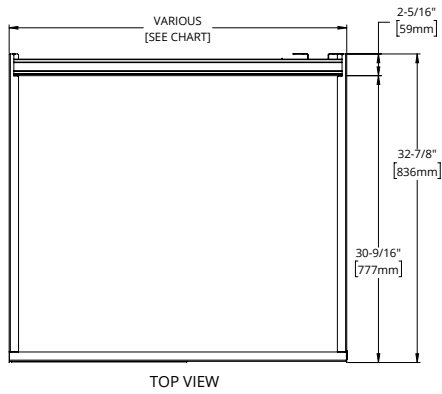
Remote Refrigerator Base



NOTE: All Bases must be order with Garland Cuisine Series or combination of Garland Cuisine Series Modular tops Only. Please specific when ordering modular tops if they are for refrigerated base mount.

Garland products are not approved or authorized for home or residential use, but are intended for commercial applications only. Garland will not provide service, warranty, maintenance or support of any kind other than in commercial applications.

Remote Freezer Base



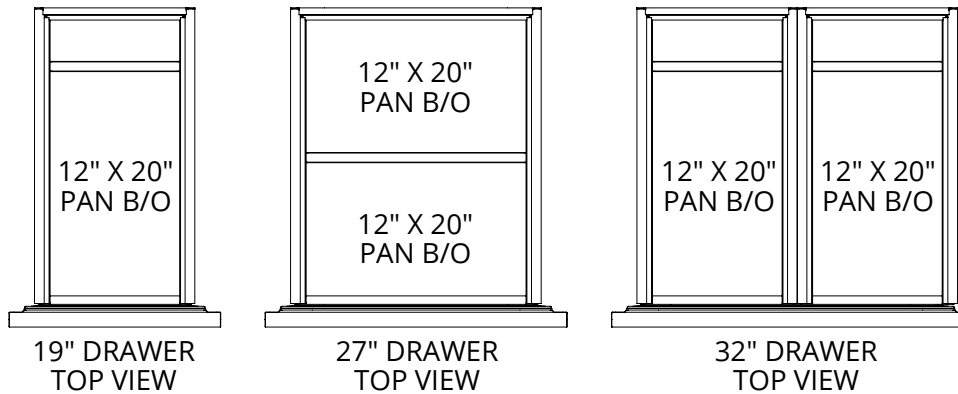
Remote Refrigerator Base

Base Configuration (Left to Right)							
Model Number	Length In (mm)	Depth In (mm)	Height In (mm)	Draw Size Openings (2 drawers per section)			Full Size Hotel Pans
				19"	27"	32"	
UN17R36	36 (914)	32-3/4 (832)	26-3/16 (665)	1			2
UN17R48	48 (1219)	32-3/4 (832)	26-3/16 (665)			1	4
UN17R54	54 (1312)	32-3/4 (832)	26-3/16 (665)	1	1		6
UN17R60	60 (1524)	32-3/4 (832)	26-3/16 (665)		2		8
UN17R66	66 (1676)	32-3/4 (832)	26-3/16 (665)		1	1	8
UN1732R72	72 (1829)	32-3/4 (832)	26-3/16 (665)			2	8
UN171927R72	72 (1829)	32-3/4 (832)	26-3/16 (665)	2	1		8
UN17R84	84 (2134)	32-3/4 (832)	26-3/16 (665)	1	1	1	10
UN17R90	90 (2286)	32-3/4 (832)	26-3/16 (665)	1		2	10
UN17R96	96 (2428)	32-3/4 (832)	26-3/16 (665)		2	1	12
UN17R102	102 (2591)	32-3/4 (832)	26-3/16 (665)			3	12
UN17R108	108 (2743)	32-3/4 (832)	26-3/16 (665)	2		2	12
UN17R114	114 (2896)	32-3/4 (832)	26-3/16 (665)		4		16
UN17R120	120 (3048)	32-3/4 (832)	26-3/16 (665)		4		16

Remote Freezer Base

Base Configuration (Left to Right)							
Model Number	Length In (mm)	Depth In (mm)	Height In (mm)	Draw Size Openings (drawer per section)			Full Size Hotel Pans
				19"	27"	32"	
UN17FR36	36 (914)	32-3/4 (832)	26-3/16 (665)	1			1
UN17FR48	48 (1219)	32-3/4 (832)	26-3/16 (665)			1	2
UN17FR54	54 (1312)	32-3/4 (832)	26-3/16 (665)	2			2
UN17FR60	60 (1524)	32-3/4 (832)	26-3/16 (665)	1	1		3
UN17FR66	66 (1676)	32-3/4 (832)	26-3/16 (665)		2		4
UN17FR72	72 (1829)	32-3/4 (832)	26-3/16 (665)		1	1	4

DRAWER CONFIGURATIONS



Remote Refrigerator Base

Base Configuration (Left to Right)				
Model Number	Evaporator BTU Capacity at 23°F/-5°C Evaporation Temperature	Volts/Amps	Cu.FT. (crate)	Ship Weight lb/kg
UN17R36	1425	115/6	30	247/112
UN17R48	1425	115/6	40	322/146
UN17R54	1425	115/6	45	355/116
UN17R60	1425	115/6	47	361/164
UN17R66	1425	115/6	52	431/196
UN1732R72	1425	115/6	56	458/208
UN171927R72	2850	115/6	56	533/242
UN17R84	2850	115/6	67	570/268
UN17R90	2850	115/6	73	607/276
UN17R96	2850	115/6	77	637/280
UN17R102	2850	115/6	81	675/306
UN17R108	2850	115/6	85	720/327
UN17R114	2850	115/6	90	750/340
UN17R120	2850	115/6	95	770

Remote Freezer Base

Base Configuration (Left to Right)				
Model Number	Evaporator BTU Capacity at -23°F/-32°C Evaporation Temperature	Volts/Amps	Cu.FT. (crate)	Ship Weight lb/kg
UN17FR36	3200	115/6	30	247/112
UN17FR48	3200	115/6	40	322/146
UN17FR54	3200	115/6	45	355/116
UN17FR60	3200	115/6	47	361/164
UN17FR66	3200	115/6	52	431/196
UN17FR72	3200	115/6	56	533/242

Garland reserves the right to make changes to the design or specifications without prior notice.