

Glastender®

A family company manufacturing in the USA

www.glastender.com



ALL-72
(Juice Bottles, Waste Receptacle,
and Blender Not Included)



Intertek

4004503
Conforms to ANSI/NSF STD 2
Certified to CSA/CAN STD B45.4



**All faucets are NSF/ANSI 61, Annex G
low lead compliant**

To view underbar installation instructions, please visit:

https://www.glastender.com/PDF/F-750-165_Underbar_Installation_Instructions.pdf

To view cleaning and care instructions, please visit: https://www.glastender.com/PDF/F-423-011_ss_clean_care.pdf

Specifications

Drains

- Bottle well: 1-1/2" tailpiece
- Ice bin:
 1. Models without cold plate - 1-1/2" tailpiece
 2. Models with ten circuit cold plate - 3/4" MPT
- Drainboard, Wet Waste Sink, and Recessed Drainboard (if applicable): 1/2" welded tailpiece. Clear vinyl drain line and one 1/2" by 1/2" barbed plastic elbow is provided

Tubing Chase in Backsplash (Optional)

- 2-3/8" by 4" hole centered in ice bin backsplash

Faucet

- 4" centers, accepts 3/8" sink leads, hot and cold water connections required

Sink Bowl Dimensions

- 11-1/2" long by 9-1/4" wide by 6" deep

Sink Strainer

- Perforated plastic

Project: _____	AIA# _____
Item #: _____ Qty: _____	SIS# _____
Model #: _____	

All-In-One Stations

ALL

ALL-60A, ALL-60B, ALL-66A, ALL-66B,
ALL-66C, ALL-66D, ALL-72, ALL-72A, ALL-72B

Standard Features

- All stainless steel construction
- Combines many different underbar components into one pre-assembled unit
- Combo Ice Bin, Single Wet Waste Sink with faucet and Blender Shelf, Condiment Dispenser, Double Speed Rail, Dry Waste Chute, and Towel Ring (see spec pages CB, SW, DSR, and DW)
- Recessed Drainboards and Liquor Displays are included with some models
- A stainless steel side splash between the wet waste sink and ice bin

Configurable Options

- Ten circuit cold plates available in Combo Ice Bin
- Tubing chase available centered in ice bin backsplash, specify TC-BS line item

Legs

- 1-5/8" diameter 16 gauge stainless steel
- Stainless steel bullet feet

Materials

- 20 gauge stainless steel parts include: all components unless otherwise noted
- 18 gauge stainless steel parts include: side splash
- 14 gauge stainless steel parts include: recessed drainboard end, speed rail ends, and liquor display ends

WARNING: The plastic wet waste strainer included with this product can expose you to chemicals including Bisphenol A (BPA), which is known to the State of California to cause birth defects or other reproductive harm. For more information, go to www.P65Warnings.ca.gov. **Part #03000483**
Warning applies to State of California only.

Glastender, Inc. • 5400 North Michigan Road • Saginaw, MI • 48604-9780
989.752.4275 • 800.748.0423 • Fax 989.752.4444
www.glastender.com

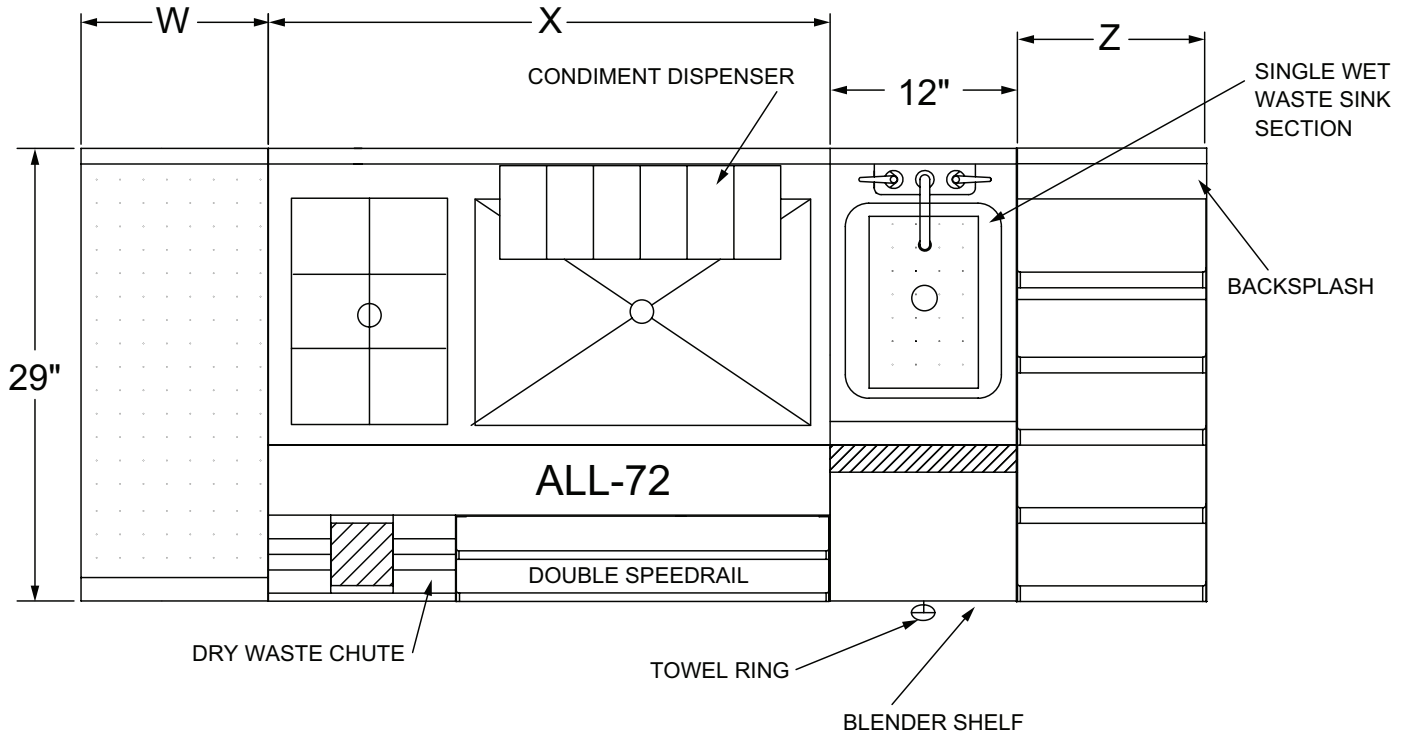
Approval/Notes:

Specifications subject to change without notice. For current specifications please visit our website.

All-In-One Stations

Drawings

PLAN VIEW



Letter	Descriptions
W	Recessed Drainboard Section
X	Combo Ice Bin Section
Z	Liquor Display Section

Model Number	W	X	Z
ALL-60A	N/A	36"	12"
ALL-60B	12"	36"	N/A
ALL-66A	N/A	42"	12"
ALL-66B	12"	42"	N/A
ALL-66C	18"	36"	N/A
ALL-66D	N/A	36"	18"
ALL-72	12"	36"	12"
ALL-72A	N/A	42"	18"
ALL-72B	18"	42"	N/A

