

Glastender®

A family company manufacturing in the USA

www.glastender.com



BLD-24 with option stainless steel top



Intertek
4004503

Conforms to NSF/ANSI STD 2

Project: _____	AIA# _____
Item #: _____ Qty: _____	SIS# _____
Model #: _____	

Back Bar Liquor Displays

BLD	BLD-18, BLD-24, BLD-30, BLD-36, BLD-42, BLD-48, BLD-18-S, BLD-24-S, BLD-30-S, BLD-36-S, BLD-42-S, BLD-48-S
------------	--

Standard Features

- Unfinished, open top for under counter installation
- Stainless steel interior with black vinyl-clad exterior
- Built-in LED light
- Radius step edges
- PVC step covers to reduce bottle noise

Configurable Options

- Top Style:**
- Open
 - Stainless
 - Laminated
- Left and Right Side Finish:**
- Black vinyl-clad
 - Stainless steel

Specifications

Electrical

- 120V, 1 phase, 60Hz, less than 5 full load amps
- Includes on/off switch and 6-foot NEMA 5-15P grounded cord

Materials

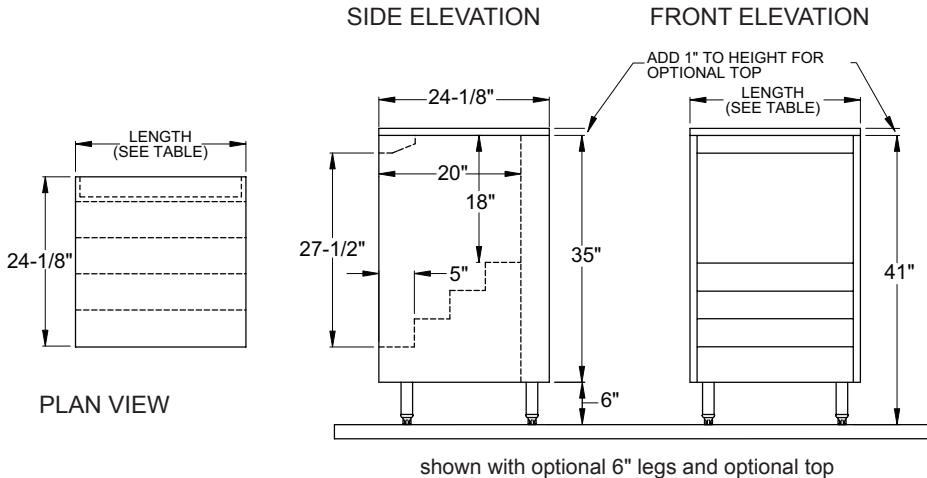
- 22 gauge black vinyl-clad parts include: exterior sides
- 20 gauge stainless steel parts include: interior side walls, back, light housing, bottom channel cover, steps, and step fillers (exterior sides `-S` models).

- 18 gauge stainless steel parts include: top channel
- 16 gauge galvanized parts include: leg channels
- 16 gauge zinc plated CR steel parts include: leg sockets
- PVC parts include: step covers and step ends



5-15P

Specifications



Model #	Length
BLD-18	18"
BLD-24	24"
BLD-30	30"
BLD-36	36"
BLD-42	42"
BLD-48	48"
BLD-18-S	18"
BLD-24-S	24"
BLD-30-S	30"
BLD-36-S	36"
BLD-42-S	42"
BLD-48-S	48"

<p>Glastender, Inc. • 5400 N Michigan Rd • Saginaw, MI • 48604-9780 989.752.4275 • 800.748.0423 • Fax 989.752.4444 www.glastender.com</p> <p>Specifications subject to change without notice. For current specifications please visit our website.</p>	<p>Approval/Notes:</p>
---	------------------------