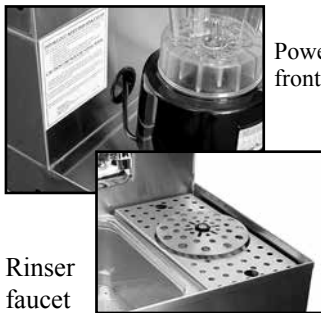




BSB-18
(Blender not included)



BSA-18-RF



Power cord access hole in front skirt, behind blender

Rinsler faucet



Intertek

4004503
Conforms to ANSI/NSF STD 2
Certified to CSA/CAN STD B45.4

Specifications

Drain

- 1-1/2" I.P.S. Threaded drain will fit Dearborn part #8033 slipnut and part #W-573P washer.

Faucet

- Models BSA-14, BSA-18, BSA-18R, BSB-14, and BSA-18: Deck mounted on 4" centers, accepts 3/8" sink leads, hot and cold water connections required
- Models BSA-12, BSB-12, and BSA-18-RF: Backsplash mounted on 4" centers, hot and cold water connections required
- Optional foot-operated faucet on BSA-12, BSA-14, BSA-18-RF, and BSB-12: single hole, (2) 1/2" NPT female inlets and (1) 1/2" NPT female outlet
- NSF/ANSI 61, 372 low lead compliant

Rinsler Faucet (BSA-18-RF model only)

- 6" diameter push plate
- Accepts 3/8" cold water lead
- 30 psi water pressure regulator included
- 1.2 gallons per minute

Sink Bowl Dimensions

- 9-1/4" by 11-1/2" by 6" deep

Sink Strainer

- Perforated plastic

Legs

- 1-5/8" diameter, 16 gauge stainless steel
- Adjustable stainless steel bullet feet for total leg height of 16" to 17-1/4"

Materials

- 20 gauge stainless steel

03012383
Rinsler Faucet
Assembly



Intertek
4004503
Conforms to
NSF/ANSI STD 372

Project: _____	AIA# _____
Item #: _____ Qty: _____	SIS# _____
Model #: _____	

Blender Stations

BSA-12, BSA-14, BSA-18L, BSA-18R, BSA-18-RF, BSB-12, BSB-14, BSB-18

Standard Features

- All stainless steel
- One-piece seamless top and backsplash featuring 1/4" radius corners
- Eco-friendly, foamed-in-place insulated blender shelf
- Heavy-duty, hot and cold water faucet
- Lift-out perforated plastic sink strainer
- Blender shelf with radius interior corners
- Power cord access hole with grommet on front skirt
- Junction box for duplex GFI outlet underneath blender shelf (outlet not included)
- Adjustable stainless steel bullet feet
- BSB models have 1" recessed work surface
- BSA-18-RF model includes push-down rinsler faucet

Configurable Options

- Foot-operated faucet; specify option FOF-B (for BSA-12, BSB-12, and BSA-18-RF) or FOF-D (for BSA-14, BSA-18L, BSA-18R, BSB-14, and BSB-18)
- Side splashes; specify option LS15-F (left) and/or RS15-F (right) for BSA-12, BSA-14, BSA-18-L and BSA-18-R, specify option LSRF (left) and/or RSRF (right) for BSA-18-RF, specify option LSA-D (left) and/or RSA-D (right) for BSB models



FOF-B
Foot-operated
faucet



FOF-D
Foot-operated
faucet

NOTE: Blender stations cannot have a speed rail mounted to them. Since speed rails are so common on underbar, blender stations in in 24" and 29" depths to align with underbar that has a speed rail.

WARNING: The plastic wet waste strainer included with this product can expose you to chemicals including Bisphenol A (BPA), which is known to the State of California to cause birth defects or other reproductive harm. For more information, go to www.P65Warnings.ca.gov.
Warning applies to State of California only. Part #03000483

To view underbar installation instructions, please visit:
https://www.glastender.com/PDF/F-750-165_Underbar_Installation_Instructions.pdf
To view cleaning and care instructions, please visit:
https://www.glastender.com/PDF/F-423-011_ss_clean_care.pdf

Glastender, Inc. • 5400 North Michigan Road • Saginaw, MI • 48604-9780
989.752.4275 • 800.748.0423 • Fax 989.752.4444
www.glastender.com

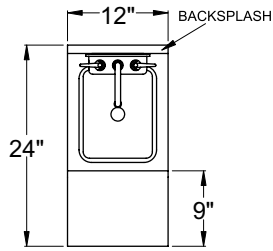
Approval/Notes:

Specifications subject to change without notice. For current specifications please visit our website.

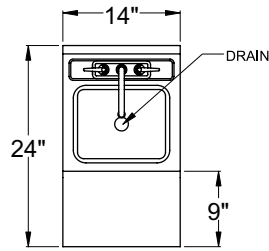
Blender Stations

Dimensional Information

PLAN VIEWS

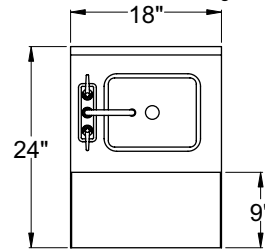


BSA-12



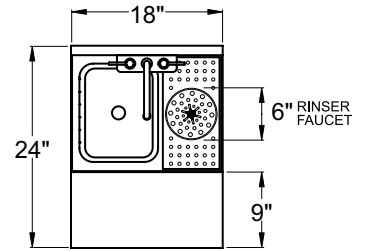
BSA-14

*NOTE: The BSA-18L model has the faucet mounted Left. Specify BSA-18R for faucet mounted Right.



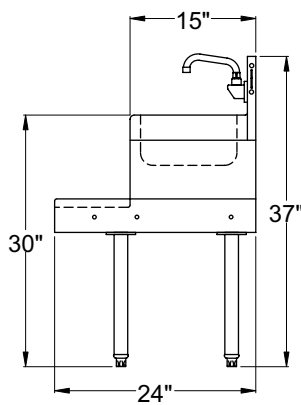
BSA-18L

PLAN VIEW - BLENDER STATION WITH RINSER FAUCET

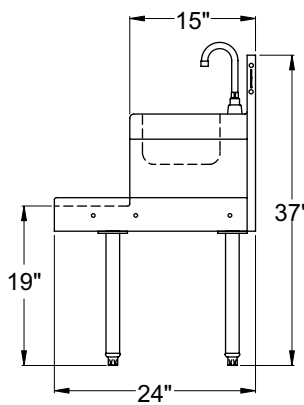


BSA-18-RF

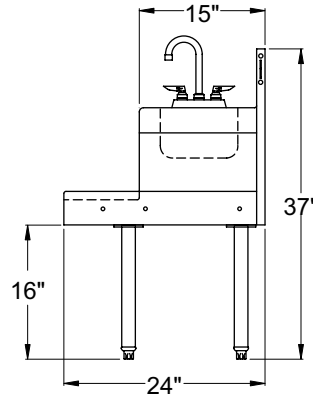
SIDE ELEVATIONS



BSA-12

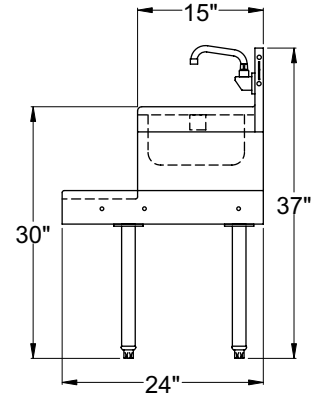


BSA-14



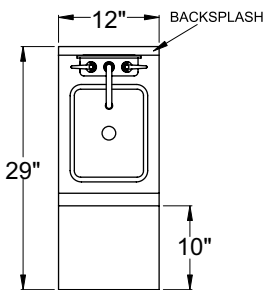
BSA-18L

SIDE ELEVATION

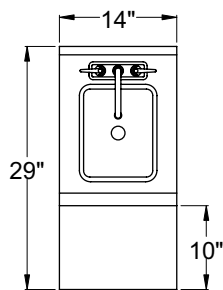


BSA-18-RF

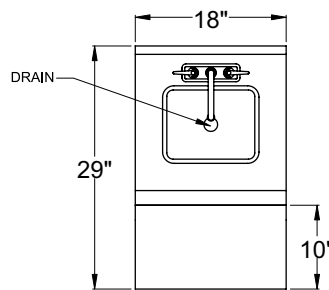
PLAN VIEWS



BSB-12

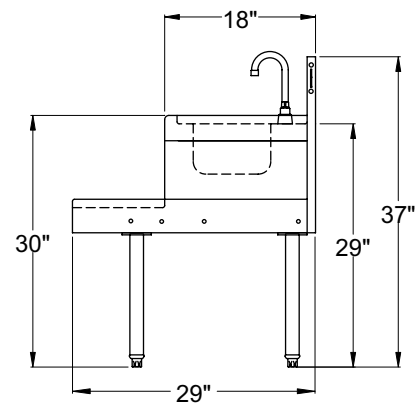


BSB-14



BSB-18

SIDE ELEVATION



BSB-12*, BSB-14, BSB-18

*Note: BSB-12 faucet is mounted to backsplash.

Rinser Faucet Installation Notes

- Important: Unit must be installed in conformance with applicable federal, state, and local plumbing codes, including adequate backflow when required
- Must install backflow prevention device conforming to ANSI/ASSE 1022 or ANSI/ASSE 1024 to meet plumbing code (not included)
- Install in-line water regulator (included)
- A separate shut-off valve is recommended (not included)