

Project: _____	AIA# _____
Item #: _____ Qty: _____	SIS# _____
Model #: _____	

## Combo Ice Bins

See reverse side for model number key



C-CBA-36L



**Intertek**  
4004503

Conforms to ANSI/NSF STD 2

### Standard Features

- All stainless steel construction
- PVC plastic breaker strip around ice bin liner acts as a thermal barrier to prevent heat transfer
- Eco friendly foamed-in-place insulation has zero impact on global warming or ozone depletion
- Adjustable thermoplastic bullet feet
- Ten circuit available with all models (add suffix '-CP10' to model number)
- Backsplash is an open channel to provide access for beverage lines
- Combo Ice Bins combine separate draining ice bin and bottle well compartments into one integral unit. The fully insulated 12" bottle well may be located on the left, right, or both sides of the ice bin.

NOTE: Ice bins intended to store potable ice must be ordered with an ice bin cover to maintain the sanitation listing.

### Specifications

#### Drain

- Bottle well and main liner without cold plate models: 1-1/2" tailpiece
- Ten circuit cold plate model '-CP10': 3/4" MPT

#### Cold Plate (models with '-CP10' suffix)

- Ten circuit available
- Connection is 5/16" O.D. stainless steel tubing with swaged end

#### Liner Depth

- 10-1/2"

#### Legs

- 1-5/8" diameter, 16 gauge stainless steel
- Thermoplastic bullet feet

#### Materials

- 20 gauge stainless steel
- PVC plastic breaker strip around ice bin liner

### Accessories

C-SR-X	Single speed rail, where X is specified as the length in inches.
C-DR-X	Double speed rail, where X is specified as the length in inches.
IBCA-24	24" w ice bin cover for C-CBA-30, C-CBA-36, or C-CBA-48
IBCA-30	30" w ice bin cover for C-CBA-42
IBCA-36	36" w ice bin cover for C-CBA-48L or R
BR3	3 bottle rack placed in bottle well to assist with holding pour and store bottles. Each well may hold two BR3 racks. NOTE: The BR3 does not fit in the C-CBA-30.
CCD	Condiment dispenser
IBD-H-A	Ice bin divider for 19" d (A) ice bin

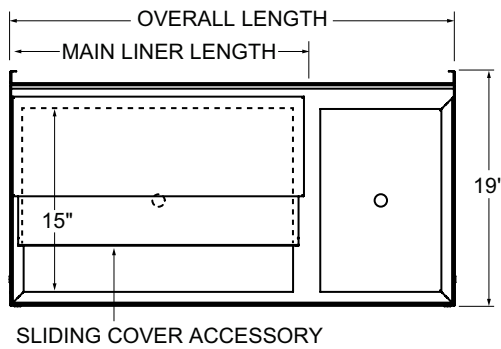
To view cleaning and care instructions, please visit:  
[https://www.glastender.com/PDF/F-423-011\\_ss\\_clean\\_care.pdf](https://www.glastender.com/PDF/F-423-011_ss_clean_care.pdf)

<b>Glastender, Inc.</b> • 5400 North Michigan Road • Saginaw, MI • 48604-9780 989.752.4275 • 800.748.0423 • Fax 989.752.4444 www.glastender.com	Approval/Notes:
Specifications subject to change without notice. For current specifications please visit our website.	

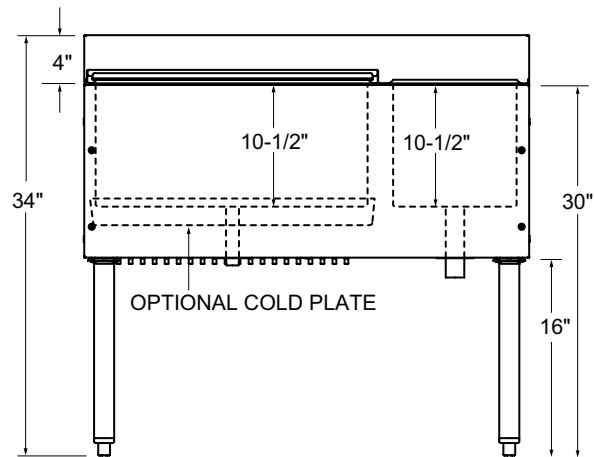
# Choice Combo Ice Bins

## Dimensional Information

### C-CBA-RIGHT WITH COLD PLATE SHOWN



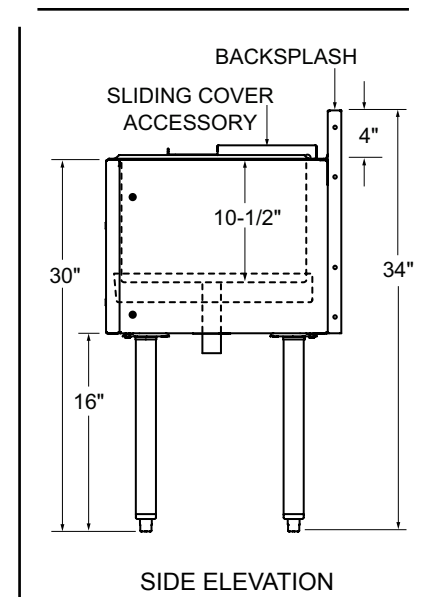
PLAN VIEW



FRONT ELEVATION

Model Number	Overall Length	Main Liner Length	Bottle Well Location	Potable Ice Capacity	Bottles Stored
C-CBA-36L or R	36"	24"	Left or Right	67 lbs	6
C-CBA-42L or R	42"	30"	Left or Right	84 lbs	6
C-CBA-48L or R	48"	36"	Left or Right	100 lbs	6
With 10-Circuit Cold Plate					
C-CBA-30L3 or R3-CP10	30"	24"	Left or Right	67 lbs	3*
C-CBA-36L or R-CP10	36"	24"	Left or Right	67 lbs	6
C-CBA-42L or R-CP10	42"	30"	Left or Right	84 lbs	6
C-CBA-48L or R-CP10	48"	36"	Left or Right	100 lbs	6

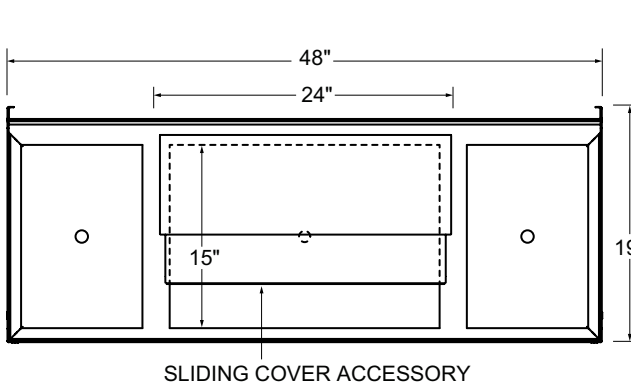
\*NOTE: The bottle well of L3 or R3 models holds 3 bottles.



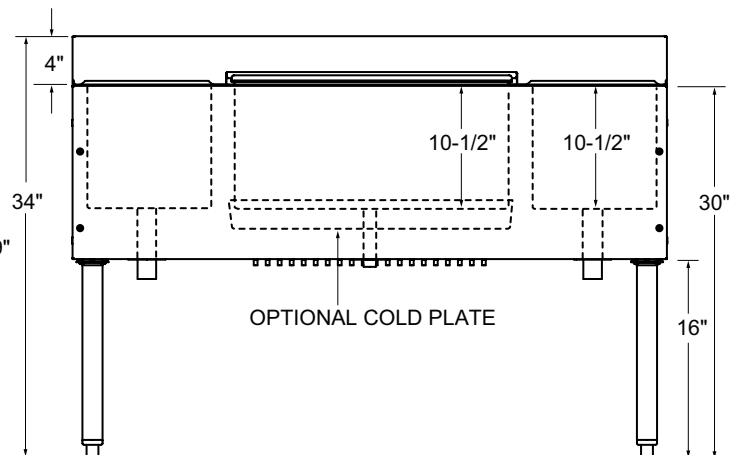
SIDE ELEVATION

### C-CBA-48-CP10

Model Number	Overall Length	Main Liner Length	Bottle Well Location	Potable Ice Capacity	Bottles Stored
C-CBA-48	48"	24"	Left and Right	67 lbs	12
With 10-Circuit Cold Plate					
C-CBA-48-CP10	48"	24"	Left and Right	67 lbs	12



PLAN VIEW



FRONT ELEVATION