



C-DBC-24



| | |
|--------------------------|------------|
| Project: _____ | AIA# _____ |
| Item #: _____ Qty: _____ | SIS# _____ |
| Model #: _____ | |

Drainboard Cabinets

See reverse side for model number key

Standard Features

- All stainless steel construction
- Adjustable thermoplastic bullet feet
- One piece seamless top and backsplash featuring 1/4" radius corners for easy cleaning
- Corrugated work surface
- Lock(s) standard on models with a door(s)
- Available without door(s) (add suffix "-LD" to model number)
- Units with a single door come hinged left, but the door is field reversible
- Plumbing connection is made underneath the unit and does not interfere with shelf or floor

Specifications

Drain

- 1/2" welded tailpiece. Clear vinyl drain line is connected to the tailpiece at the factory. A 1/2" by 1/2" barbed plastic elbow is provided to make the connection at the bottom of the unit.

Legs

- 1-5/8" diameter, 16 gauge stainless steel
- Thermoplastic bullet feet

Materials

- 20 gauge stainless steel parts include: all components unless otherwise noted
- 18 gauge stainless steel parts include: leg pads

Product Information

Drainboard Cabinets have a bottom shelf and drainboard work surface. An adjustable intermediate shelf is available as an accessory. They are available with or without doors. The models with doors come with a lock standard. The 12", 18", and 24" wide models only have one door and all other models have two doors.

To view cleaning and care instructions, please visit:
http://www.glastender.com/PDF/choice_ss_clean_care.pdf

Accessories

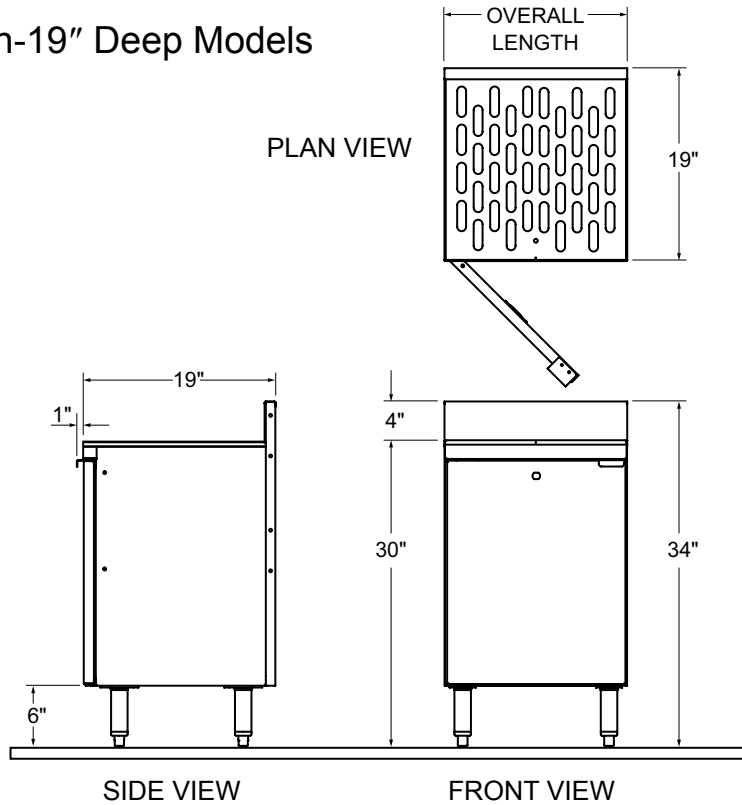
| | |
|----------|-------------------------------------|
| 03013585 | Shelf kit for C-DBCA-12 |
| 03013586 | Shelf kit for C-DBCA-18 |
| 03013587 | Shelf kit for C-DBCA-24 |
| 03013588 | Shelf kit for C-DBCA-30 |
| 03013589 | Shelf kit for C-DBCA-36 |
| 03013590 | Shelf kit for C-DBCA-42 |
| 03013591 | Shelf kit for C-DBCA-48 |
| 03013592 | Shelf kit for C-DBC-12 |
| 03013593 | Shelf kit for C-DBC-18 |
| 03013594 | Shelf kit for C-DBC-24 |
| 03013595 | Shelf kit for C-DBC-30 |
| 03013596 | Shelf kit for C-DBC-36 |
| 03013597 | Shelf kit for C-DBC-42 |
| 03013598 | Shelf kit for C-DBC-48 |
| C-LSA-D | Left side splash for C-DBCA models |
| C-RSA-D | Right side splash for C-DBCA models |
| C-LSB-D | Left side splash for C-DBC models |
| C-RSB-D | Right side splash for C-DBC models |

| | |
|--|-----------------|
| <p>Glastender, Inc. • 5400 North Michigan Road • Saginaw, MI • 48604-9780 989.752.4275 • 800.748.0423 • Fax 989.752.4444 www.glastender.com</p> | Approval/Notes: |
| Specifications subject to change without notice. For current specifications please visit our website. | |

Choice Drainboard Cabinets

Dimensional Information

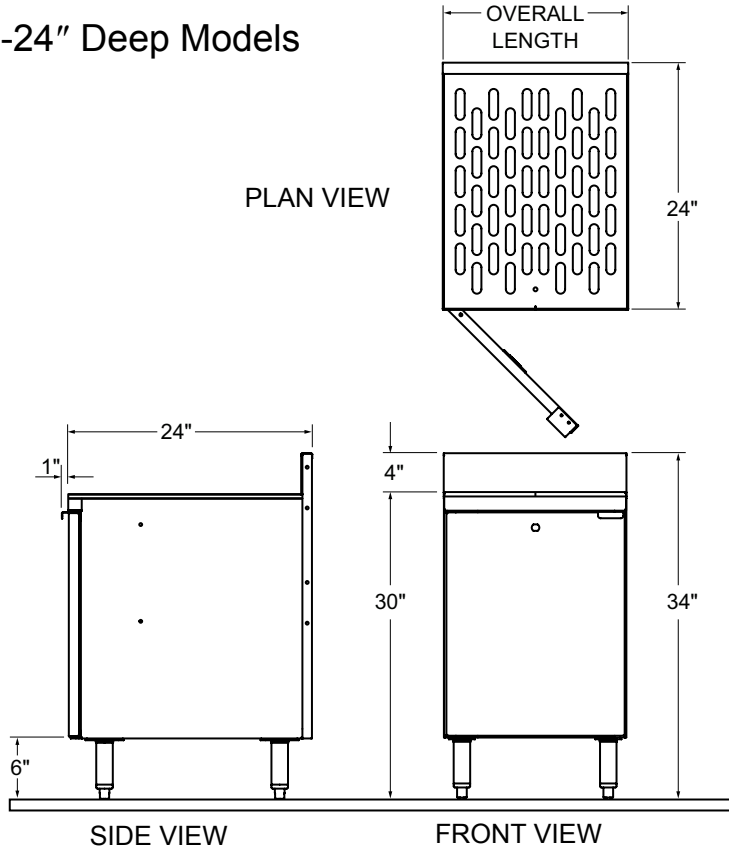
"A" Depth-19" Deep Models



| Model Number | Overall Length | Number of Doors |
|--------------|----------------|-----------------|
| C-DBCA-12 | 12" | 1 |
| C-DBCA-18 | 18" | 1 |
| C-DBCA-24 | 24" | 1 |
| C-DBCA-30 | 30" | 2 |
| C-DBCA-36 | 36" | 2 |
| C-DBCA-42 | 42" | 2 |
| C-DBCA-48 | 48" | 2 |

Note: To order unit without door(s), specify the suffix "-LD" in the model number.

"B" Depth-24" Deep Models



| Model Number | Overall Length | Number of Doors |
|--------------|----------------|-----------------|
| C-DBCB-12 | 12" | 1 |
| C-DBCB-18 | 18" | 1 |
| C-DBCB-24 | 24" | 1 |
| C-DBCB-30 | 30" | 2 |
| C-DBCB-36 | 36" | 2 |
| C-DBCB-42 | 42" | 2 |
| C-DBCB-48 | 48" | 2 |

Note: To order unit without door(s), specify the suffix "-LD" in the model number.