



Project: _____	AIA# _____
Item #: _____ Qty: _____	SIS# _____
Model #: _____	

## Double Speed Rails & Locking Covers

Model numbers on reverse side

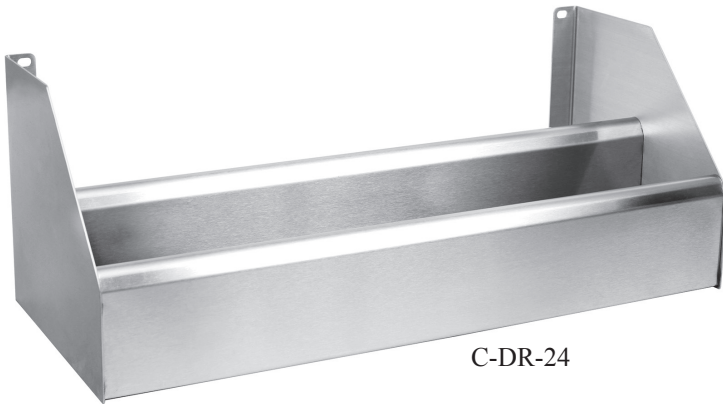
### Standard Features

- All stainless steel construction
- Available in custom lengths up to 72". NOTE: Custom lengths are manufactured to order and are not returnable.
- Locking covers are available in custom lengths up to 48". For longer speed rails order two covers at half the length. For double speed rails order two times the number of covers.
- Also available in single step models - see spec C-SR

### Specifications

#### Materials

- 20 gauge stainless steel parts include: steps, rails, and locking cover
- 14 gauge stainless steel parts include: ends



To view cleaning and care instructions, please visit:  
[https://www.glastender.com/PDF/F-423-011\\_ss\\_clean\\_care.pdf](https://www.glastender.com/PDF/F-423-011_ss_clean_care.pdf)

<p><b>Glastender, Inc.</b> • 5400 North Michigan Road • Saginaw, MI • 48604-9780 989.752.4275 • 800.748.0423 • Fax 989.752.4444 www.glastender.com</p>	Approval/Notes:
<p>Specifications subject to change without notice. For current specifications please visit our website.</p>	

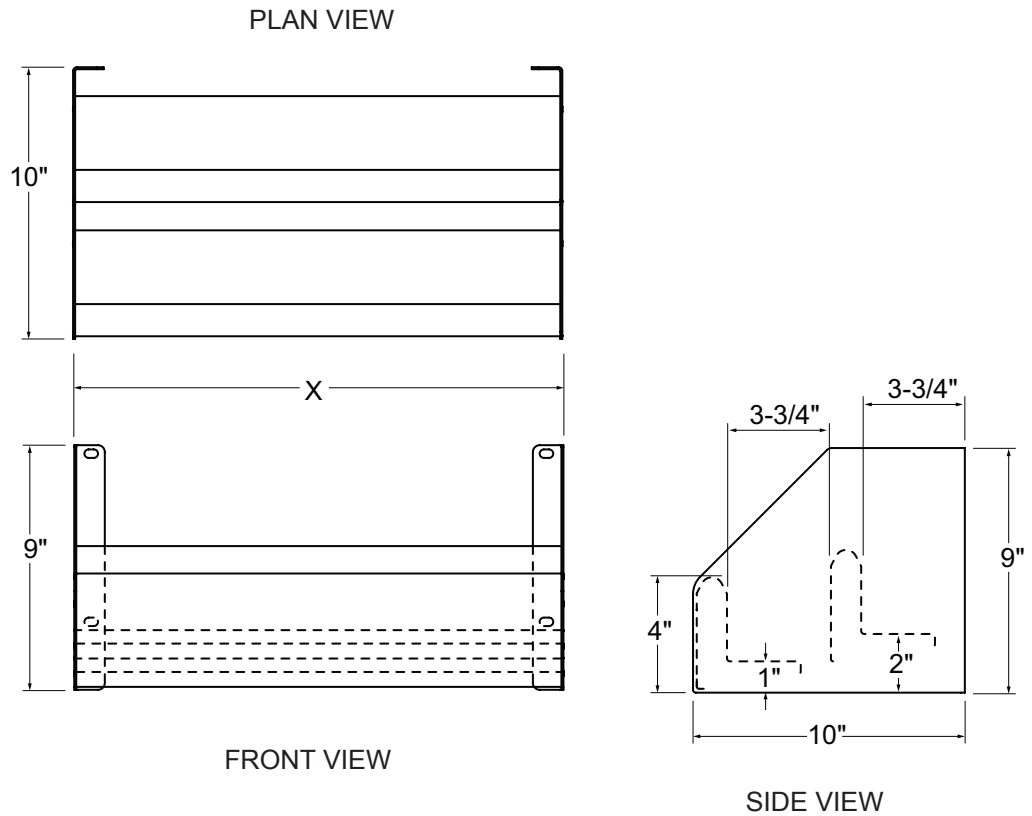
# Choice Double Speed Rails & Locking Covers

## Dimensional Information

### C-DR

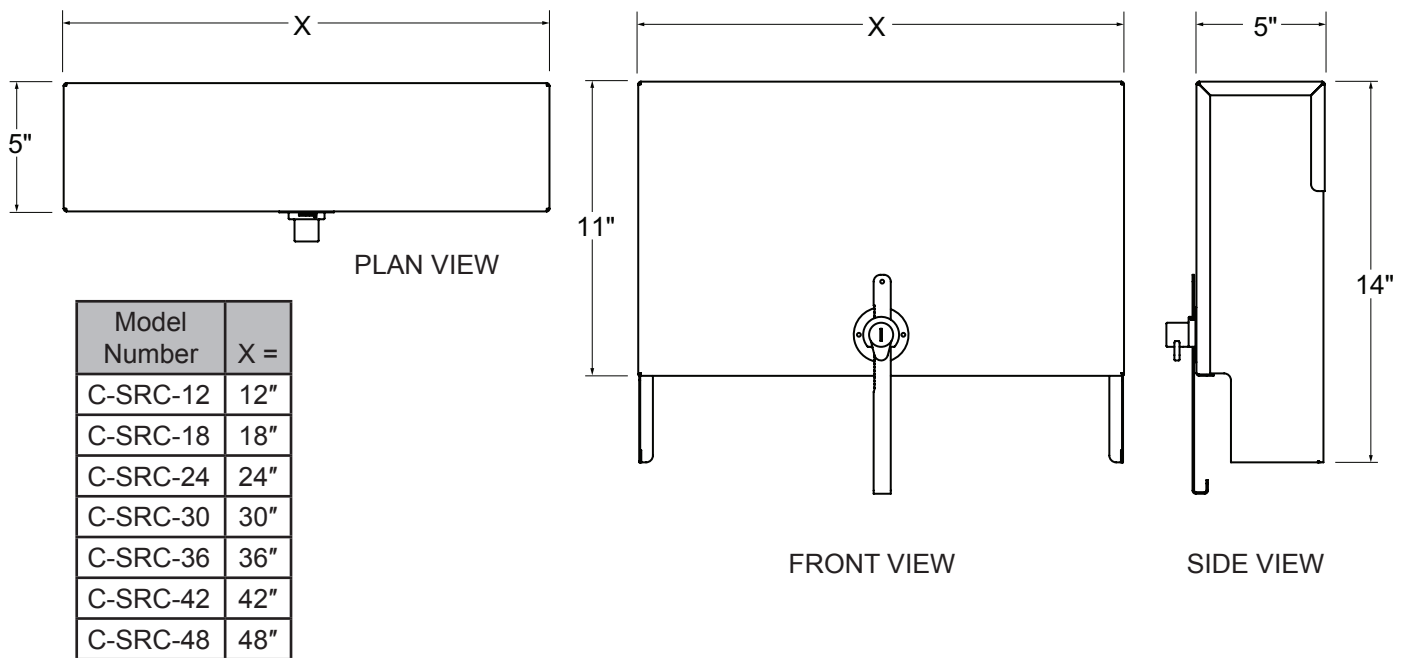
Model C-DR-18 shown

Model Number	X=
C-DR-12	12"
C-DR-18	18"
C-DR-24	24"
C-DR-30	30"
C-DR-36	36"
C-DR-42	42"
C-DR-48	48"
C-DR-54	54"
C-DR-60	60"
C-DR-66	66"
C-DR-72	72"



### C-SRC

Model C-SRC-18 shown



Model Number	X =
C-SRC-12	12"
C-SRC-18	18"
C-SRC-24	24"
C-SRC-30	30"
C-SRC-36	36"
C-SRC-42	42"
C-SRC-48	48"