



Intertek

4004503

Conforms to ANSI/NSF STD 2

| | |
|--------------------------|------------|
| Project: _____ | AIA# _____ |
| Item #: _____ Qty: _____ | SIS# _____ |
| Model #: _____ | |

Filler Boards

C-FBA-18, C-FBA-24, C-FBB-18, C-FBB-24

Standard Features

- All stainless steel construction
- Adjustable thermoplastic bullet feet
- One-piece seamless top and backsplash

Product Information

Choice Filler Boards are constructed of all stainless steel and include a flat work surface for situations where a draining work surface is not desired. Filler boards are not typically used for glass storage, but are more commonly used as a place to set a printer, POS system, or cash drawer.

Specifications

Legs

- 1-5/8" diameter, 16 gauge stainless steel
- Thermoplastic bullet feet

Materials

- 20 gauge stainless steel

Accessories

| | |
|---------|------------------------------------|
| C-SR-18 | 18" single speed rail |
| C-SR-24 | 24" single speed rail |
| C-DR-18 | 18" double speed rail |
| C-DR-24 | 24" double speed rail |
| C-LSA-F | Left side splash for C-FBA models |
| C-RSA-F | Right side splash for C-FBA models |
| C-LSB-F | Left side splash for C-FBB models |
| C-RSB-F | Right side splash for C-FBB models |

To view cleaning and care instructions, please visit:
https://www.glastender.com/PDF/F-423-011_ss_clean_care.pdf

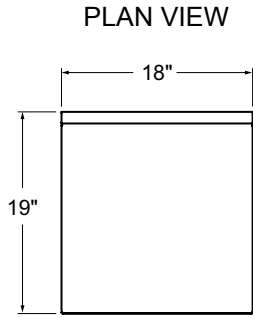
| | |
|--|-----------------|
| <p>Glastender, Inc. • 5400 North Michigan Road • Saginaw, MI • 48604-9780 989.752.4275 • 800.748.0423 • Fax 989.752.4444 www.glastender.com</p> | Approval/Notes: |
| <p>Specifications subject to change without notice. For current specifications please visit our website.</p> | |

Choice Filler Boards

Dimensional Information

"A" Depth-19" Deep Models

C-FBA-18

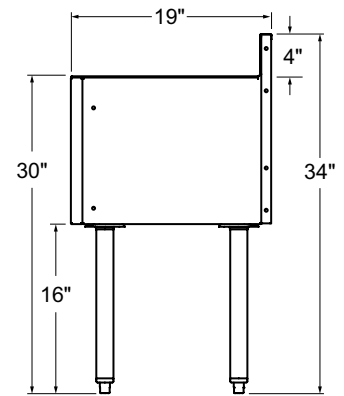
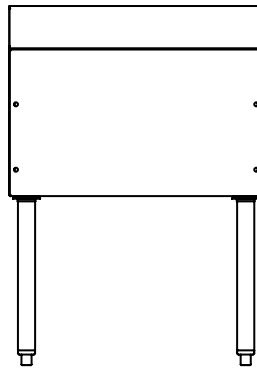
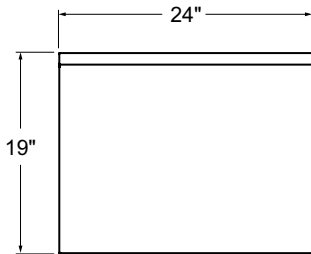


FRONT VIEW

SIDE VIEW

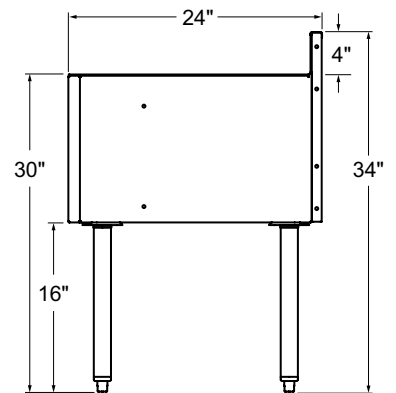
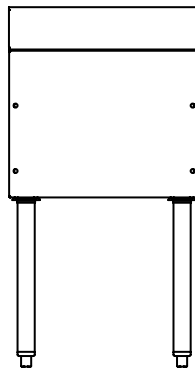
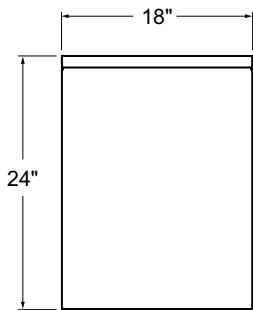
19"
30"
16"
4"
34"

C-FBA-24



"B" Depth-24" Deep Models

C-FBB-18



C-FBB-24

