

Project: _____	AIA# _____
Item #: _____ Qty: _____	SIS# _____
Model #: _____	

## Open Glassracks

C-GRA-18, C-GRA-24, C-GRB-18, C-GRB-24



C-GRA-24



**Intertek**

4004503

Conforms to ANSI/NSF STD 2

### Specifications

#### Drain

- 1-1/2" I.P.S. Threaded drain will fit Dearborn part #8033 slipnut and part #W-573P washer.

#### Legs

- 1-5/8" diameter, 16 gauge stainless steel
- Thermoplastic bullet feet

#### Materials

- 20 gauge stainless steel parts include: all components unless otherwise noted
- 18 gauge stainless steel parts include: leg pads
- 14 gauge stainless steel parts include: sides and optional glass rack shelves

### Standard Features

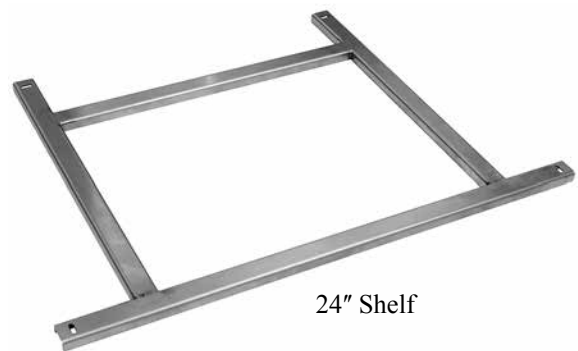
- Stainless steel construction
- Adjustable thermoplastic bullet feet
- Full bottom floor with drain

### Product Information

Glassracks are designed to hold racks of glassware stacked on top of each other. The 24" wide model holds 20" by 20" racks and the 18" wide models hold the 16" round racks used with the Glastender GT-18 glasswashers. Optional shelves are available as an accessory.

### Accessories

03013601	Shelf kit for 18" wide model, includes two shelves and eight clips
03013602	Shelf kit for 24" wide model, includes two shelves and eight clips



24" Shelf

To view cleaning and care instructions, please visit:  
[https://www.glastender.com/PDF/F-423-011\\_ss\\_clean\\_care.pdf](https://www.glastender.com/PDF/F-423-011_ss_clean_care.pdf)

**Glastender, Inc.** • 5400 North Michigan Road • Saginaw, MI • 48604-9780  
989.752.4275 • 800.748.0423 • Fax 989.752.4444  
www.glastender.com

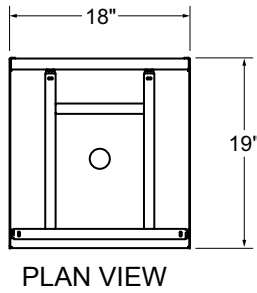
Approval/Notes:

Specifications subject to change without notice. For current specifications please visit our website.

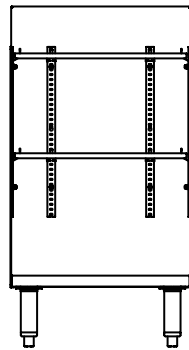
# Choice Glassracks

## Dimensional Information

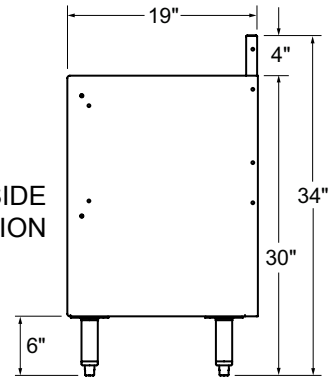
C-GRA-18



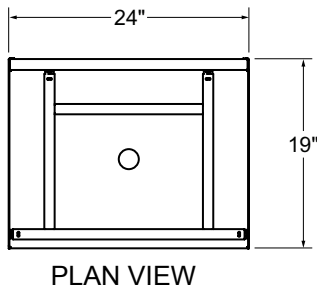
NOTE: Shown with optional shelves



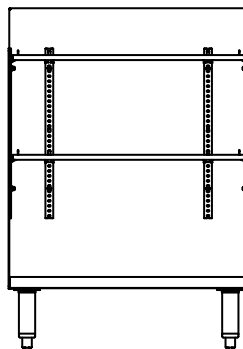
SIDE ELEVATION



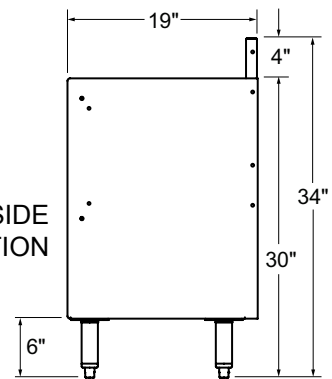
C-GRA-24



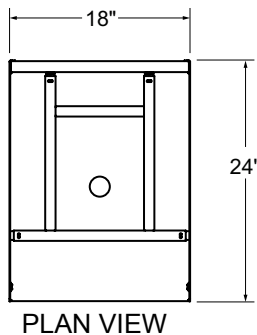
NOTE: Shown with optional shelves



SIDE ELEVATION

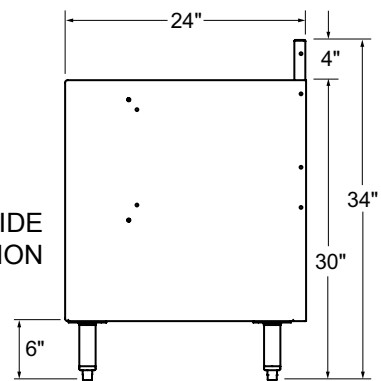


C-GRB-18 NOTE: Shown with optional shelves

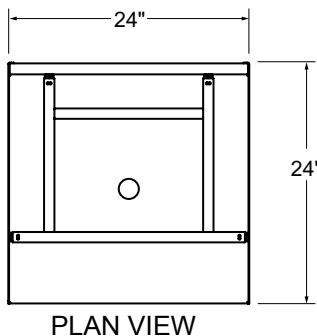


FRONT ELEVATION

SIDE ELEVATION



C-GRB-24 NOTE: Shown with optional shelves



FRONT ELEVATION

SIDE ELEVATION

